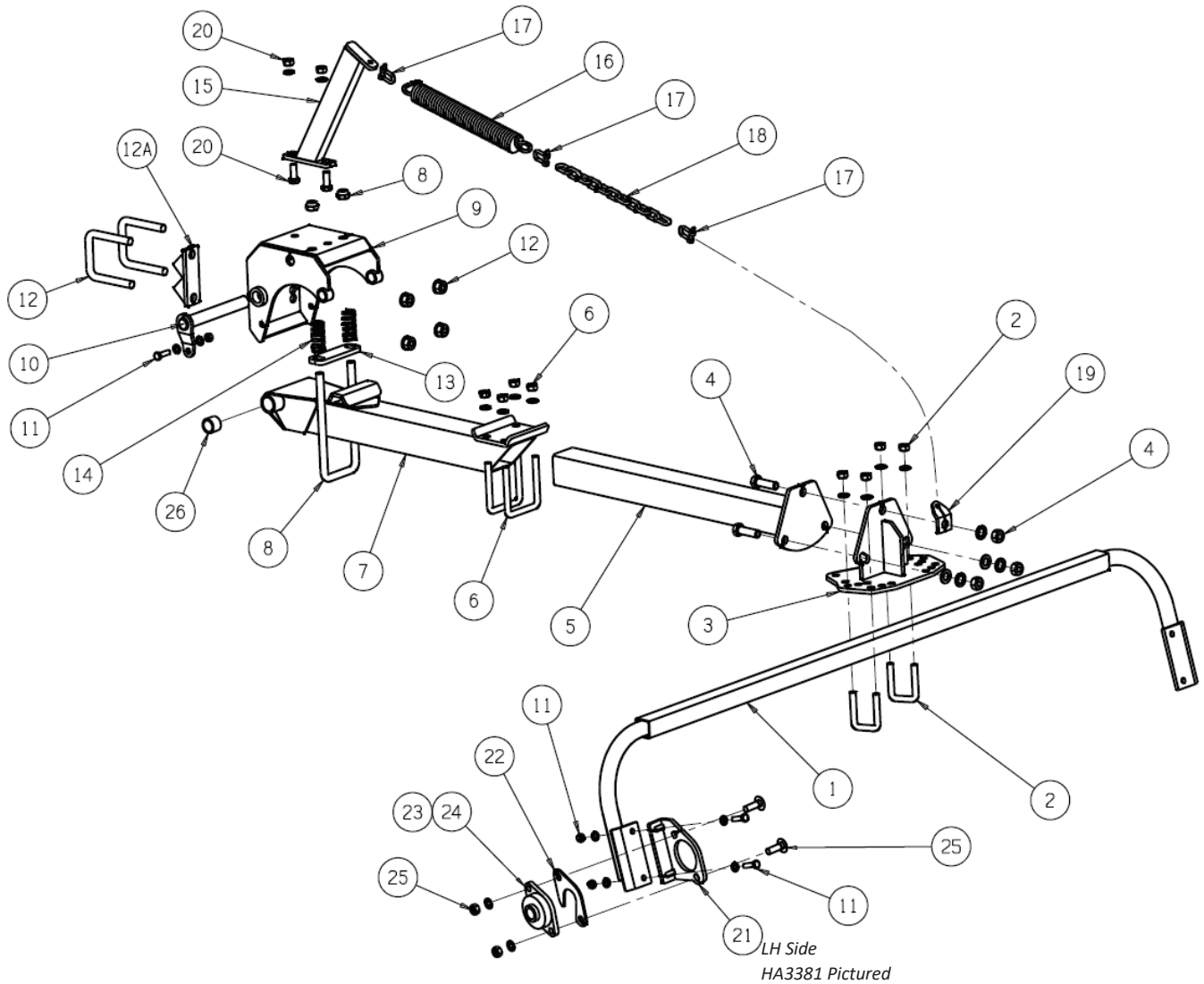


HARROW COMPONENTS

TELE ARMS/TURNTABLE/GANG FRAME



Ref	Part No	Description	Qty	Remarks	Prices	
					Exc	Inc
1	HA3340	4' U Frame	1		\$170.00	\$187.00
	HA3350	5' U Frame	1		\$190.00	\$209.00
	HA3360	6' U Frame	1		\$210.00	\$231.00
2	UBN3003	U Bolt – M16, Nut & Washer	2		\$ 10.00	\$ 11.00
3	HA3310	Turntable	1		\$120.00	\$132.00
4	BNW20M60	Bolt – M20 x 60, Nut & Washer	3		\$ 5.00	\$ 5.50
5	TA3130	Inner Arm	1		\$ 90.00	\$ 99.00
6	UBN3002	U Bolt – M16, Nut & Washer	2		\$ 15.00	\$ 16.50
7	TA3120	Outer Arm	1		\$240.00	\$264.00
8	UBN3001	U Bolt – M20, Nut & Washer	1		\$ 30.00	\$ 33.00
9	HS3030	Headstock	1		\$210.00	\$231.00
10	HS3040	Pivot Pin	1		\$ 20.00	\$ 22.00
11	BNW12M40	Bolt – M12 x 40, Nut & Washer	5		\$ 2.00	\$ 2.20
12	UBN3004	UBolt M20 – <i>Supersedes HS3060</i>	2	for 100 mm Square RHS	\$ 20.00	\$ 22.00
	BNW20M120	Bolt – M20 x 120, Nut & Washer	4	for 75 mm Square RHS	\$ 8.00	\$ 8.80
	UBN3006	U-Bolt Bolt M20 x 170	2	Used with RHS Set on diagonal	\$ 22.00	\$ 24.20
12a	HS3070	Clamp Plate with BNW20M120	2	for 75mm Square RHS	\$ 10.00	\$ 11.00
	HS3080	Clamp Plate used with UB3006	2	Used with RHS set on diagonal	\$ 15.00	\$ 16.50
13	HS3090	Spring Plate	1	(Not used on Combines)	\$ 8.00	\$ 8.80
14	SP3011	Spring	2	(Not used on Combines)	\$ 5.00	\$ 5.50

Use one of our online building tools for Seeding Kits and Presswheels to help you with specific part numbers & prices

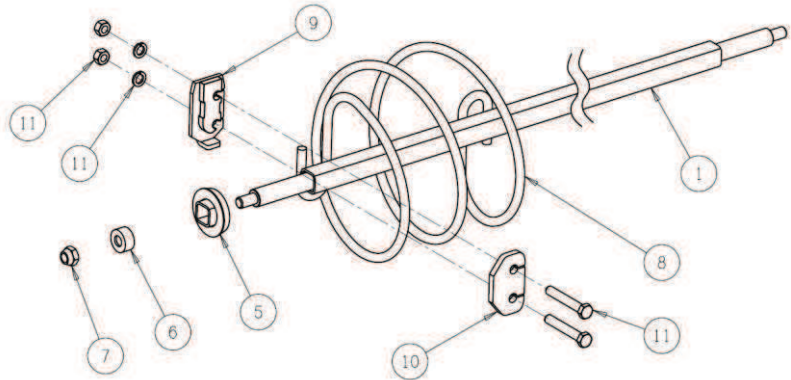
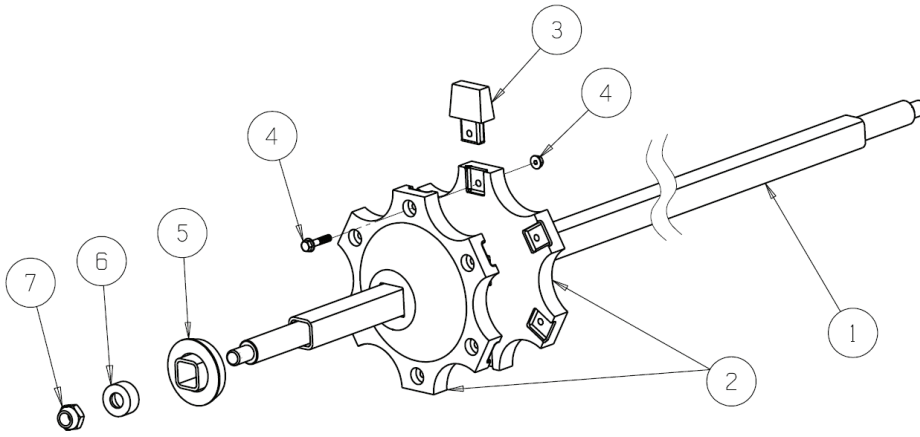
www.agmaster.com.au

Ref	Part No	Description	Qty	Remarks	Prices	
					Exc	Inc
15	HK3610	Spring Arm	1		\$50.00	\$55.00
16	SP3012	Spring 350 long	1		\$30.00	\$33.00
	SP3013	Spring 460 long for Coil Harrows	1		\$40.00	\$44.00
17	SH10D	Shackle	3		\$ 2.50	\$ 2.75
18	CH8X500	Chain 500mm long	1		\$10.00	\$10.10
19	HK3620	Lifting Lug	1		\$ 5.00	\$ 5.50
20	BNW16M40	Bolt – M16 x 40	2		\$ 3.00	\$ 3.30
21	HA3370	Brace/Bearing RH Assembled	1	Includes 21a,22,23,24,25	\$70.00	\$77.00
	HA3380	Brace/Bearing LH Assembled	1	Includes 21b,22,23,24,25	\$70.00	\$77.00
21a	HA3371	Bracket – RH	1		\$35.00	\$38.50
21b	HA3381	Bracket – LH (shown)	1		\$35.00	\$38.50
22	HA3372	Spacer plate	2		\$ 5.00	\$ 5.50
23	BE114UCR3	Bearing – UC207-20R3	2	Triple Lip Seal	\$15.00	\$16.50
24	BE114FL	Flanged housing – 1 1/4" F207	2		\$ 10.00	\$11.00
25	BON16M50CUP	Cup Head Sq Bolt M16 x 50 & Nut	4		\$ 5.00	\$ 5.50
26	XTA3123	Tele Arm Outer Bush	2	Nyaltron Insert	\$ 5.00	\$ 5.50

Use one of our online building tools for Seeding Kits and Presswheels to help you with specific part numbers & prices

www.agmaster.com.au

STARS, COILS & AXLES



Ref	Part No	Description	Qty	Remarks	Prices	
					Exc	Inc
1	HA3440	4ft Axle	1		\$120.00	\$132.00
	HA3450	5ft Axle	1		\$130.00	\$143.00
	HA3460	6ft Axle	1		\$140.00	\$154.00
2	HA3510	Star Half	2 per star		\$ 20.00	\$ 22.00
3	HA3520	Star Tip	6 per star		\$ 4.50	\$ 4.95
	HA3520x100	Star Tips - box of 100			\$400.00	\$440.00
4	BON8M35F	Bolt 8M x 35mm flanged & Nut	6 per star		\$ 0.60	\$ 0.66
	HA3500	Harrow Star Assembled	1	Items 2, 3, 4 Assembled 10 Stars per 4ft axle 13 stars per 5ft axle 16 stars per 6ft axle	\$ 62.00	\$ 68.20
5	HA3390	Slinger	2		\$ 20.00	\$ 22.00
6	HA3410	Sleeve	2		\$ 4.00	\$ 4.40
7	NU20MNY	Nut – 20mm Nylock	2		\$ 1.50	\$ 1.65
8	SP3701	Spring Harrow Coil	3	Springs per 4ft axle	\$135.00	\$148.50
			4	Springs per 5ft axle		
9	HA3710	Coil Clamp	6	per 4ft axle	\$ 15.00	\$ 16.50
			8	per 5ft axle		
10	HA3720	Coil Clamp End Plate	2	per gang	\$ 8.00	\$ 8.80
11	BON16M110	Bolt M16 x 110 ZP, Nuts	8	per 4ft axle	\$ 5.00	\$ 5.50
			10	per 5ft axle		

Use one of our online building tools for Seeding Kits and Presswheels to help you with specific part numbers & prices

www.agmaster.com.au