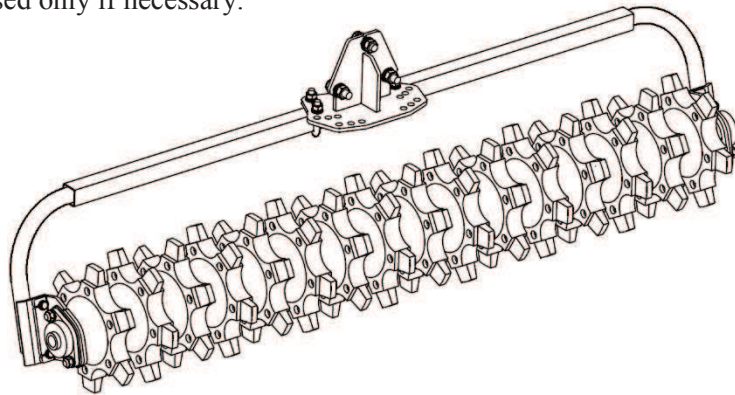


# HARROWS

## Star Harrow Gangs

The Rotary Star Harrows are available in 4ft, 5ft and 6ft coverage gangs. Each gang will cover its respective width at the maximum working angle (30°). In general, most harrows are set in mid range of adjustment for angle, hence there is usually ample to suit the required width of cover. 4ft and 5ft Gangs give a more even finish and 6ft gangs are recommended to be used only if necessary.

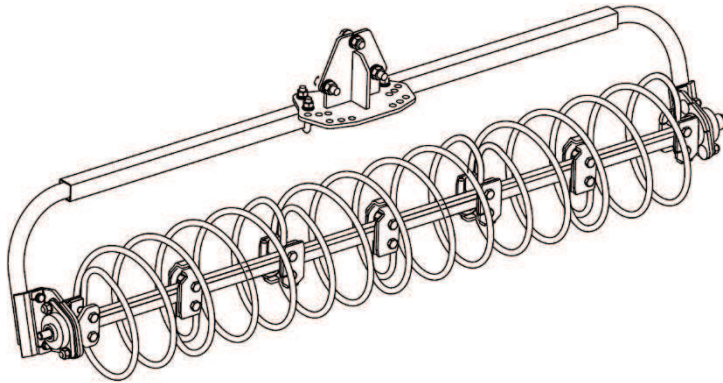


Part No		<u>Prices</u>	
		<i>Exc</i>	<i>Inc</i>
HAT24	4ft Gang (HA3240 – 10 Stars) with Turntable	\$1000.00	\$1100.00
HAT25	5ft Gang (HA3250 – 13 Stars) with Turntable	\$1200.00	\$1320.00
HAT26	6ft Gang (HA3260 – 16 Stars) with Turntable	\$1400.00	\$1540.00

Order TAS-- Arms with these Harrows ([page 32](#))

## Coil Harrow Gangs

Coil Harrow Gangs are available in 4ft and 5ft coverage gangs



HAT74	4ft Gang (HA3740 – 3 springs) with Turntable	\$1000.00	\$1100.00
HAT75	5ft Gang (HA3750 – 4 springs) with Turntable	\$1200.00	\$1320.00

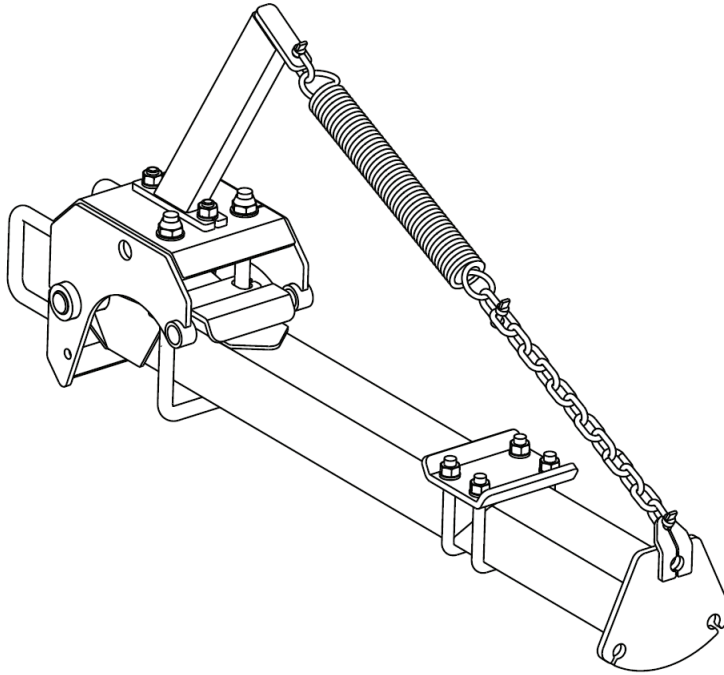
Order TAH-- Arms with these Harrows ([page 32](#))

If ordering for use with other than Agmaster Telescopic Arms also order mounting plate XTA3132 \$ 10.00 \$ 11.00

Replacement Parts for these gangs are on pages 33 - 35

## TELESCOPIC MOUNTING ARMS

Telescopic Harrow Arms come complete with Spring Kit on the top, bolts, nuts and backing plates to mount on the machine frame. One Arm required for each Harrow Gang.

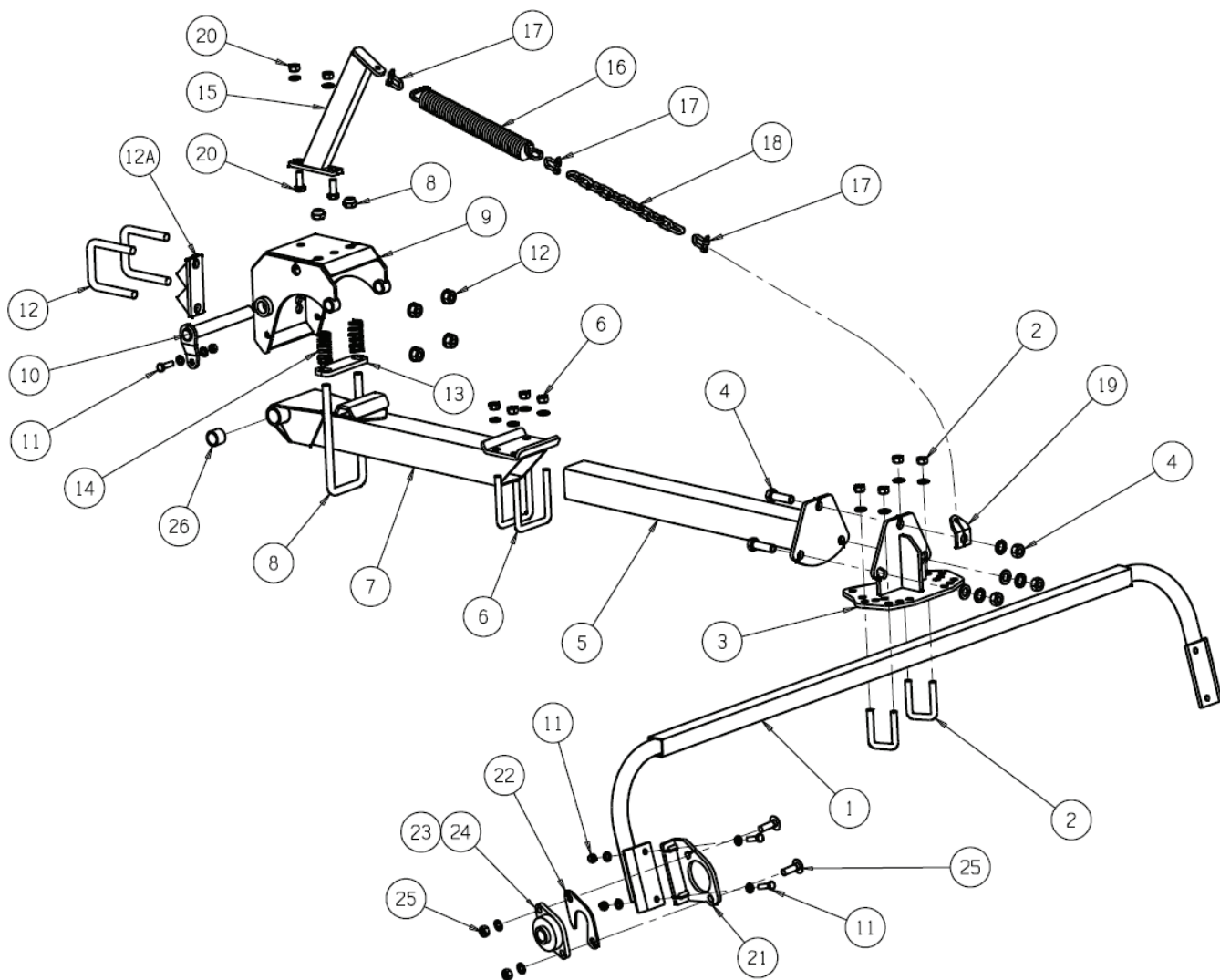


		<u>Prices</u>	
		<i>Exc</i>	<i>Inc</i>
<b>Tele Arms to suit Star Harrows</b>			
<b>TAS04</b>	<b>Telescopic Arm Kit to suit 100 x 100mm frame</b>	<b>\$650.00</b>	<b>\$715.00</b>
<b>TAS05</b>	<b>Telescopic Arm Kit to suit 75 x 75mm frame</b>	<b>\$650.00</b>	<b>\$715.00</b>
<b>TAS08</b>	<b>Telescopic Arm Kit to suit 75 x 75mm diamond frame (Shearer)</b>	<b>\$650.00</b>	<b>\$715.00</b>
<b>TAS00</b>	<b>Telescopic Arm Kit to bolt on behind Agmaster fixed extensions for Presswheels</b>	<b>\$650.00</b>	<b>\$715.00</b>
<b>Tele Arms to suit Coil Harrows - comes with stronger spring for heavier coil gangs</b>			
<b>TAH04</b>	<b>Telescopic Arm Kit to suit 100 x 100mm frame</b>	<b>\$650.00</b>	<b>\$715.00</b>
<b>TAH05</b>	<b>Telescopic Arm Kit to suit 75 x 75mm frame</b>	<b>\$650.00</b>	<b>\$715.00</b>
<b>TAH08</b>	<b>Telescopic Arm Kit to suit 75 x 75mm diamond frame (Shearer)</b>	<b>\$650.00</b>	<b>\$715.00</b>
<b>TAH00</b>	<b>Telescopic Arm Kit to bolt on behind Agmaster fixed extensions for Presswheels</b>	<b>\$650.00</b>	<b>\$715.00</b>

Replacement Parts for these arms are on pages 33 - 34

# HARROW COMPONENTS

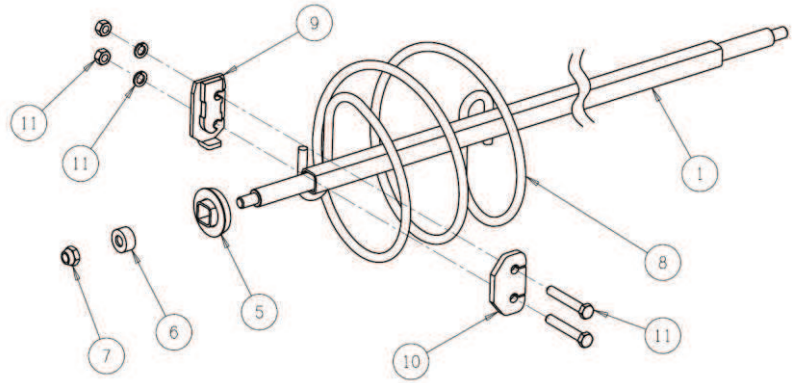
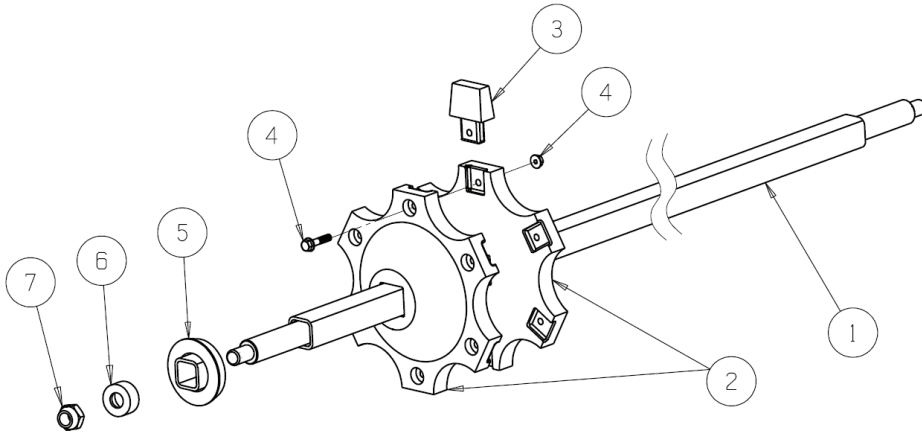
## TELE ARMS/TURNTABLE/GANG FRAME



Ref	Part No	Description	Qty	Remarks	Prices	
					Exc	Inc
1	<b>HA3340</b>	4' U Frame	1		\$150.00	\$165.00
	<b>HA3350</b>	5' U Frame	1		\$170.00	\$187.00
	<b>HA3360</b>	6' U Frame	1		\$190.00	\$209.00
2	<b>UBN3003</b>	U Bolt – M16, Nut & Washer	2		\$ 10.00	\$ 11.00
3	<b>HA3310</b>	Turntable	1		\$120.00	\$132.00
4	<b>BNW20M60</b>	Bolt – M20 x 60, Nut & Washer	3		\$ 5.00	\$ 5.50
5	<b>TA3130</b>	Inner Arm	1		\$ 80.00	\$ 88.00
6	<b>UBN3002</b>	U Bolt – M16, Nut & Washer	2		\$ 15.00	\$ 16.50
7	<b>TA3120</b>	Outer Arm	1		\$220.00	\$242.00
8	<b>UBN3001</b>	U Bolt – M20, Nut & Washer	1		\$ 30.00	\$ 33.00
9	<b>HS3030</b>	Headstock	1		\$200.00	\$220.00
10	<b>HS3040</b>	Pivot Pin	1		\$ 20.00	\$ 22.00
11	<b>BNW12M40</b>	Bolt – M12 x 40, Nut & Washer	5		\$ 2.00	\$ 2.20
12	<b>UBN3004</b>	UBolt M20 – <i>Supersedes HS3060</i>	2	for 100 mm Square RHS	\$ 20.00	\$ 22.00
	<b>UBN3005</b>	UBolt M20 – <i>Superseded HS3070</i>	2	for 75 mm Square RHS	\$ 20.00	\$ 22.00
	<b>UBN3006</b>	UBolt M20	2	Used with RHS Set on diagonal	\$ 22.00	\$ 24.20
12a	<b>HS3080</b>	Clamp Plate with UB3006	2	Used with RHS set on diagonal	\$ 15.00	\$ 16.50
13	<b>HS3090</b>	Spring Plate	1	(Not used on Combines)	\$ 8.00	\$ 8.80
14	<b>SP3011</b>	Spring	2	(Not used on Combines)	\$ 5.00	\$ 5.50

Ref	Part No	Description	Qty	Remarks	<u>Prices</u>	
					Exc	Inc
15	<b>HK3610</b>	Spring Arm	1		<i>\$50.00</i>	<i>\$55.00</i>
16	<b>SP3012</b>	Spring 350 long	1		<i>\$30.00</i>	<i>\$33.00</i>
	<b>SP3013</b>	Spring 460 long for Coil Harrows	1		<i>\$40.00</i>	<i>\$44.00</i>
17	<b>SH10D</b>	Shackle	3		<i>\$ 2.50</i>	<i>\$ 2.75</i>
18	<b>CH8</b>	Chain 500mm long	1		<i>\$ 9.00</i>	<i>\$ 9.90</i>
19	<b>HK3620</b>	Lifting Lug	1		<i>\$ 5.00</i>	<i>\$ 5.50</i>
20	<b>BNW16M40</b>	Bolt – M16 x 40	2		<i>\$ 3.00</i>	<i>\$ 3.30</i>
21	<b>HA3370</b>	Brace/Bearing RH Assembled	1	Includes 21a,22,23,24,25	<i>\$70.00</i>	<i>\$77.00</i>
	<b>HA3380</b>	Brace/Bearing LH Assembled	1	Includes 21b,22,23,24,25	<i>\$70.00</i>	<i>\$77.00</i>
21a	<b>HA3371</b>	Bracket – RH	1		<i>\$35.00</i>	<i>\$38.50</i>
21b	<b>HA3381</b>	Bracket – LH (shown)	1		<i>\$35.00</i>	<i>\$38.50</i>
22	<b>HA3372</b>	Spacer plate	2		<i>\$ 5.00</i>	<i>\$ 5.50</i>
23	<b>BE114UCR3</b>	Bearing – UC207-20R3	2	Triple Lip Seal	<i>\$15.00</i>	<i>\$16.50</i>
24	<b>BE114FL</b>	Flanged housing – 1 1/4" F207	2		<i>\$ 8.00</i>	<i>\$ 8.50</i>
25	<b>BNW16M50CUP</b>	Cup Head Sq Bolt M16 x 50 & Nut	4		<i>\$ 5.00</i>	<i>\$ 5.50</i>
26	<b>XTA3123</b>	Tele Arm Outer Bush	2	Nyaltron Insert	<i>\$ 5.00</i>	<i>\$ 5.50</i>

## STARS, COILS & AXLES



Ref	Part No	Description	Qty	Remarks	Prices	
					Exc	Inc
1	<b>HA3440</b>	4ft Axle	1		<i>\$110.00</i>	<i>\$121.00</i>
	<b>HA3450</b>	5ft Axle	1		<i>\$120.00</i>	<i>\$132.00</i>
	<b>HA3460</b>	6ft Axle	1		<i>\$130.00</i>	<i>\$143.00</i>
2	<b>HA3510</b>	Star Half	2/star		<i>\$ 20.00</i>	<i>\$ 22.00</i>
3	<b>HA3520</b>	Star Tip	6/star		<i>\$ 4.00</i>	<i>\$ 4.40</i>
	<b>HA3520x100</b>	Star Tips - box of 100			<i>\$350.00</i>	<i>\$385.00</i>
4	<b>BON8M35F</b>	Bolt 8M x 35mm flanged & Nut	6/star		<i>\$ 0.60</i>	<i>\$ 0.66</i>
	<b>HA3500</b>	Harrow Star Assembled	1	Items 2, 3, 4 Assembled 10 Stars per 4ft axle 13 stars per 5ft axle 16 stars per 6ft axle	<i>\$ 60.00</i>	<i>\$ 66.00</i>
5	<b>HA3390</b>	Slinger	2		<i>\$ 20.00</i>	<i>\$ 22.00</i>
6	<b>HA3410</b>	Sleeve	2		<i>\$ 4.00</i>	<i>\$ 4.40</i>
7	<b>NU20MNY</b>	Nut – 20mm Nylock	2		<i>\$ 1.50</i>	<i>\$ 1.65</i>
8	<b>SP3701</b>	Spring Harrow Coil	3	Springs per 4ft axle	<i>\$130.00</i>	<i>\$143.00</i>
			4	Springs per 5ft axle		
9	<b>HA3710</b>	Coil Clamp	6	per 4ft axle	<i>\$ 15.00</i>	<i>\$ 16.50</i>
			8	per 5ft axle		
10	<b>HA3720</b>	Coil Clamp End Plate	2	per gang	<i>\$ 8.00</i>	<i>\$ 8.80</i>
11	<b>BON16M110</b>	Bolt M16 x 110 ZP, Nuts	8	per 4ft axle	<i>\$ 5.00</i>	<i>\$ 5.50</i>
			10	per 5ft axle		