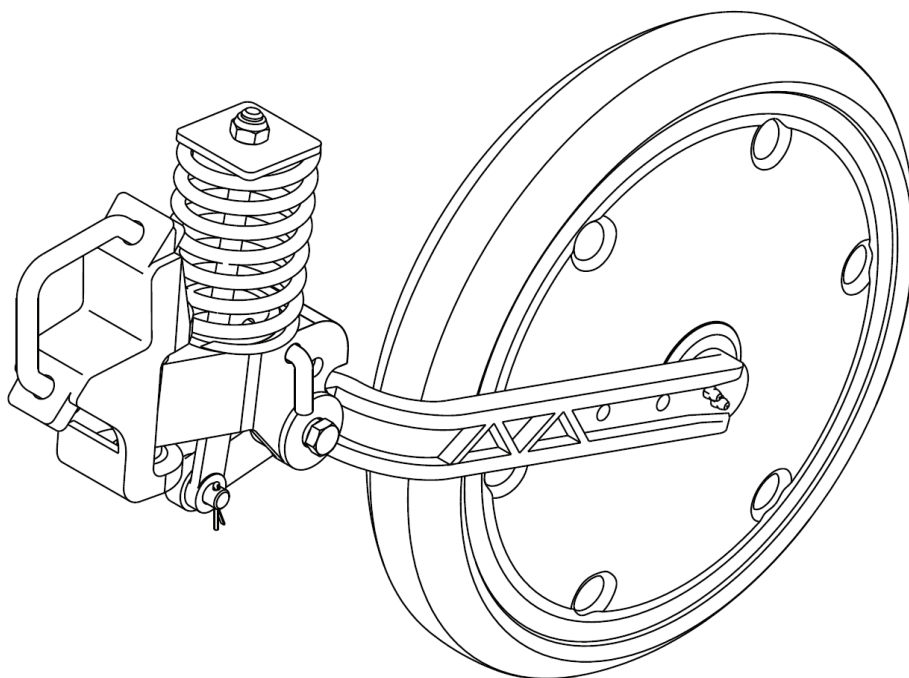


PRESSWHEEL MODULES

Presswheel modules are supplied individually and include “V” bolt to secure to mounting bar.



Part No		<u>Prices</u>	
		<i>Exc</i>	<i>Inc</i>
PWF50	Presswheel Flat 50mm Assembly	\$360.00	\$396.00
PWV70	Presswheel “V” 70mm Assembly	\$360.00	\$396.00
PWV95	Presswheel “V” 95mm Assembly	\$360.00	\$396.00
PWW20	Presswheel Wedge 20mm Assembly	\$380.00	\$418.00
PWW100	Presswheel ‘W’ Shape 100mm Assembly	\$380.00	\$418.00

See next page for tyre profiles

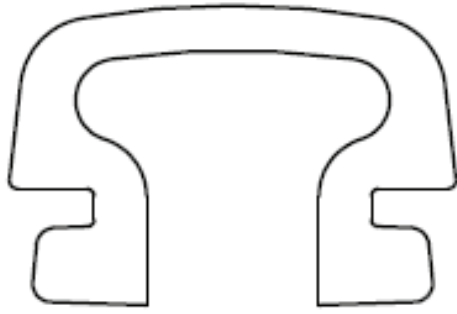
SP4012	Optional Inner Spring 145 x 60 For extra down pressure	\$ 10.00	\$ 11.00
--------	---	----------	----------

Presswheel Spacer For extra clearance between arm and wheel to assist in mud shedding

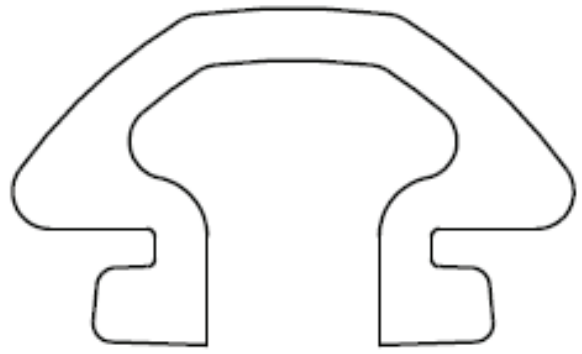
PW4440	Optional wheel to arm spacer	\$ 10.00	\$ 11.00
BO16M120	Corresponding bolt M16 x 120 for above spacer	\$ 4.00	\$ 4.40
For Presswheel modules ordered with spacer factory fitted add ‘S’ to above assembly part no’s.		\$ 10.00	\$ 11.00
E.g 70mm V tyre profile with spacer would be PWV70S		\$370.00	\$407.00

Replacement Parts for Presswheels are on pages 41 - 45

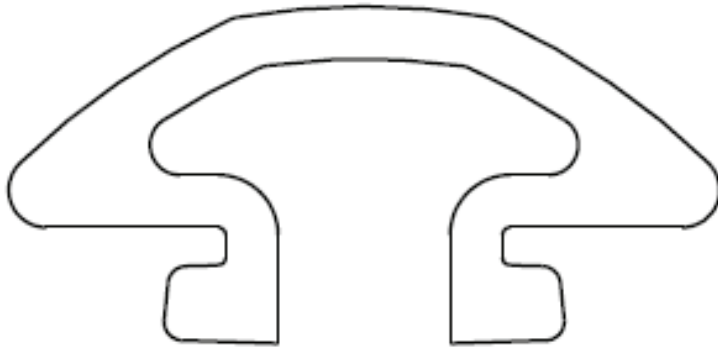
TYRE PROFILES



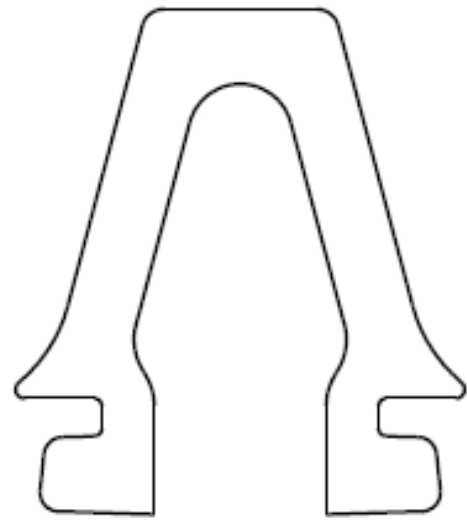
50 mm Flat Tyre



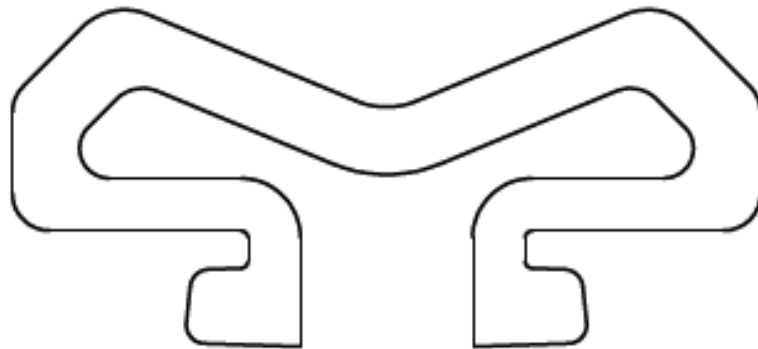
70 mm "V" Tyre



95 mm "V" Tyre



20 mm Wedge Tyre

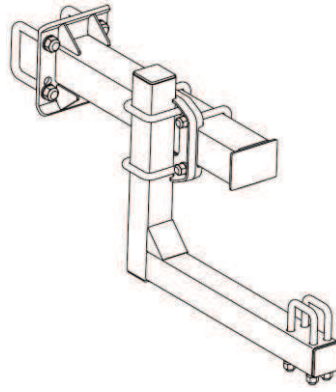


100 mm W Tyre

SEMI PNEUMATIC TYRE PROFILES (Actual Size on A4)

Fixed Extension Arm

These Kits bolt onto rear frame of the machine and provide an adjustable position for the mount bar to which the Presswheel bolts. Supplied with all bolts, nuts and U Bolts.

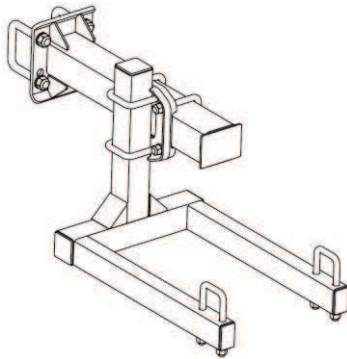


Part No			Price	
			Exc	Inc
FEO04	Fixed Extension Arm	Suits 100 x 100 frame	\$450.00	\$495.00
FEO05	Fixed Extension Arm	Suits 75 x 75 frame	\$450.00	\$495.00
FEO08	Fixed Extension Arm	Suits 75 x 75 diamond frame (shearer)	\$450.00	\$495.00
FEO00	Fixed Extension Arm	To fit in front of existing Agmaster Harrows	\$450.00	\$495.00

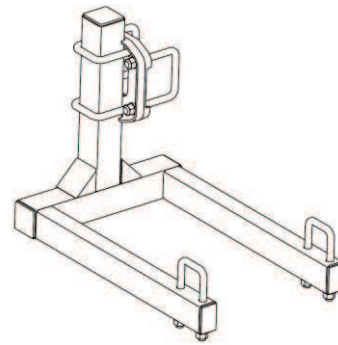
Requires XFE4032 Rear Mount Plate on end of FE4030 Main Arm

Fixed Extension Arm With Double Outrigger

For short sections of Folding Machines ie. 7ft or less with a maximum 10 Presswheel Modules. Typically used on outer wings of Double Fold Machines



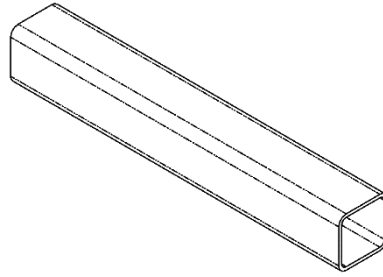
FEDxx



FEL4015

Part No				
FED04	Fixed Extension Arm with Double Outrigger	Suits 100 x 100 frame	\$600.00	\$660.00
FED05	Fixed Extension Arm with Double Outrigger	Suits 75 x 75 frame	\$600.00	\$660.00
FED08	Fixed Extension Arm with Double Outrigger	Suits 75 x 75 diamond frame (Shearer)	\$600.00	\$660.00
FED00	Fixed Extension Arm with Double Outrigger	To fit in front of Agmaster Harrows	\$600.00	\$660.00
FEL 4015	Double Outrigger for existing FE4030 or Harrow Tele Arm		\$350.00	\$385.00
	(If using FEL4015 on Harrow Tele Arm also buy HS3050 x 1, PI8L x 2) Per set	HSP3050	\$ 16.00	\$ 17.60

Mounting Bar



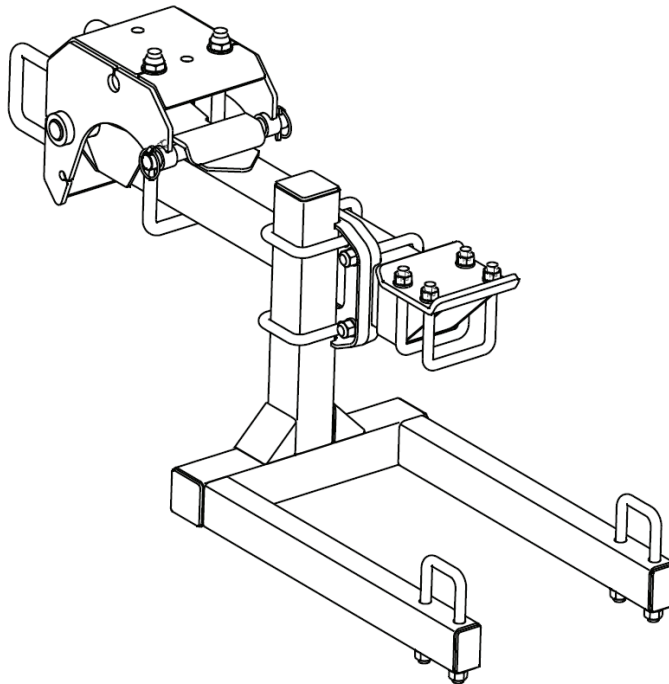
PartNo			<u>Price</u>	
			<i>Exc</i>	<i>Inc</i>
RH65654 x length	e.g.: RHS 65mm x 65mm x 4mm x 3.5m long Duragal – cut and capped	<i>per metre</i>	\$45.00	\$49.50

NOTE: Agmaster will only supply RHS to customers collecting from Welshpool Warehouse due to freight issues with such long parts. All other customers to source locally

CA65	Cap 65mm Square Insert These plastic knock-in caps enclose the end of the above RHS (Included in mounting bar price)		\$8.00	\$8.80
------	---	--	--------	--------

Telescopic Extension Arm

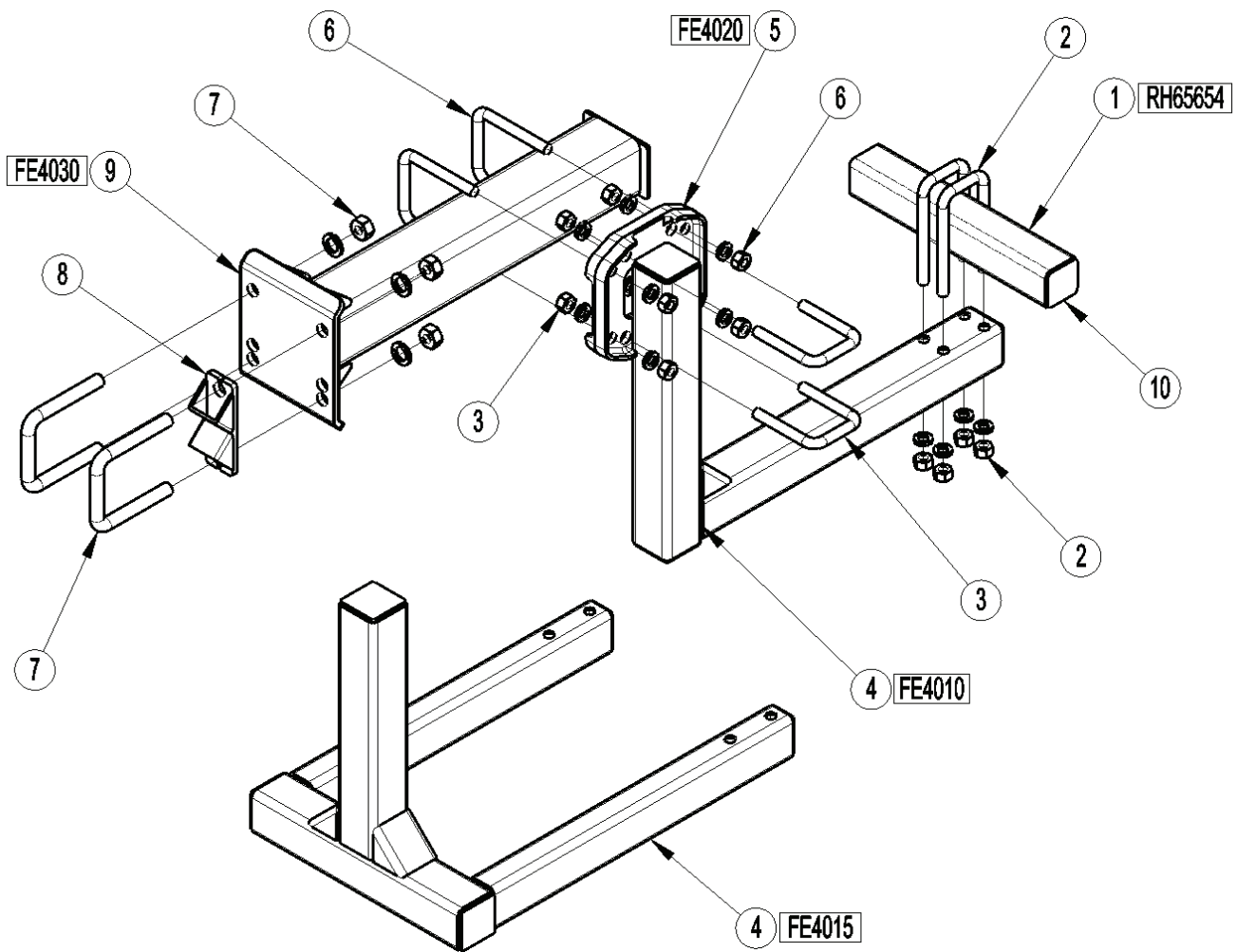
These kits are used when there is a requirement to interchange Presswheels and Harrows into the same tele arm arrangement.



			<u>Price</u>	
			<i>Exc</i>	<i>Inc</i>
TPO04	Telescopic Arm Presswheel Extension & Outrigger, 100 x 100 frame		\$900.00	\$990.00
TPO05	Telescopic Arm Presswheel Extension & Outrigger, 75 x 75 frame		\$900.00	\$990.00
TPO08	Telescopic Arm Presswheel Extension & Outrigger, 75 x 75 diamond frame		\$900.00	\$990.00
FEL4015	Double Outrigger for existing FE4030 or Harrow Tele Arm (see diagram pg39) (If using FEL4015 on Harrow Tele Arm also buy HS3050 x 1, PI8L x 2) Per set HSP3050		\$350.00 \$ 16.00	\$385.00 \$ 17.60

PRESSWHEEL COMPONENTS

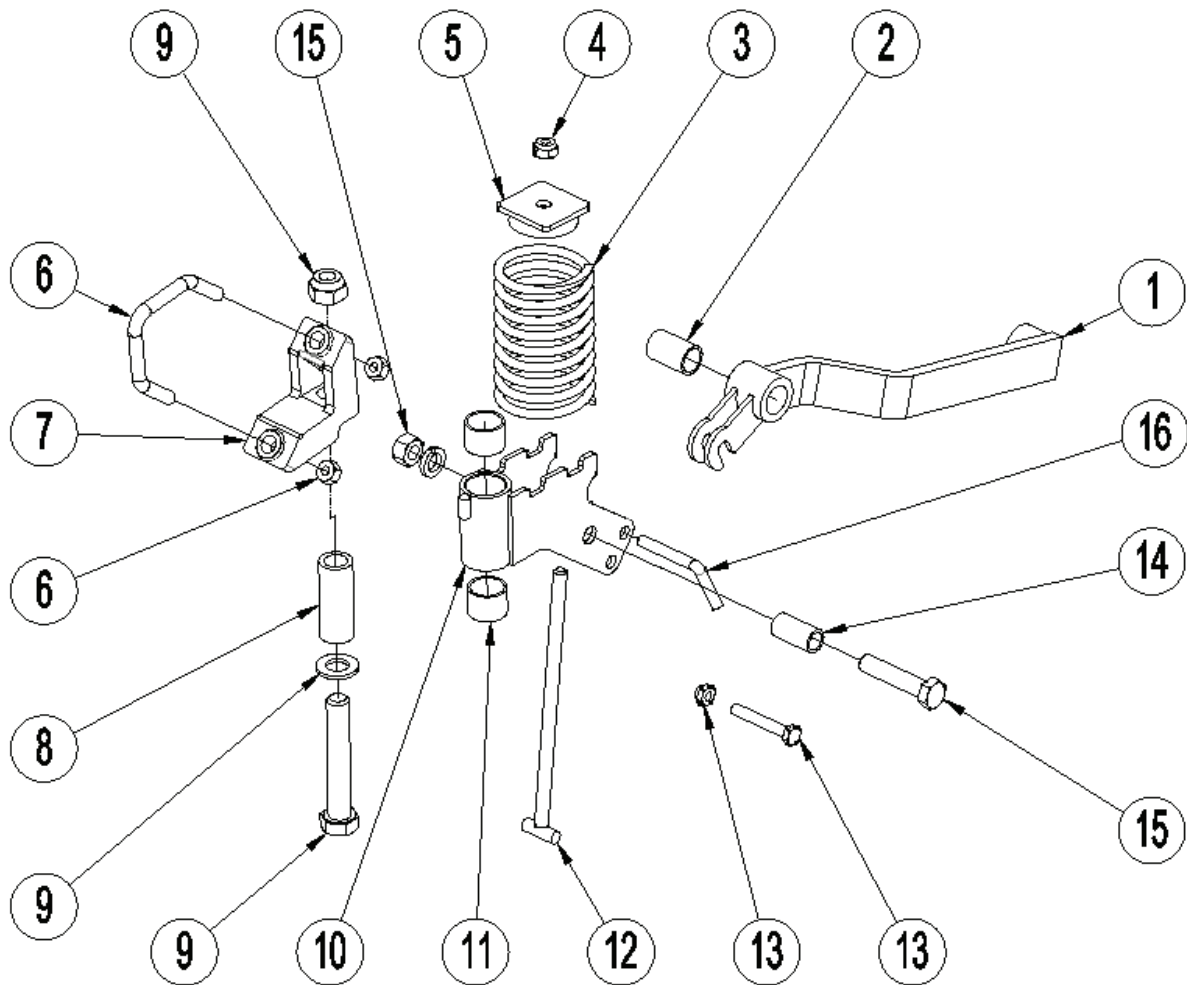
FIXED EXTENSIONS



Ref	Part No	Description	Qty	Remarks	Prices	
					Exc	Inc
1	RH65654	RHS 65 mm x 65 mm x 4 mm	AR	length to suit	\$ 45.00/mtr	\$ 49.50/mtr
2	UBN4002	U Bolt – M16, Nuts & Washers	2		\$ 10.00	\$ 11.00
3	UBN4003	U Bolt – M16, Nuts & Washers	2		\$ 10.00	\$ 11.00
4	FE4010	L Frame	1		\$140.00	\$154.00
or	FE4015	Double L Frame	1	refer page 39	\$290.00	\$319.00
5	FE4020	Clamp plate	1		\$ 30.00	\$ 33.00
6	UBN3002	U Bolt – M16, Nuts & Washers	2		\$ 15.00	\$ 16.50
7	UBN3004	UBolt - M20, Nuts & Washers	2	for 100 mm Square RHS	\$ 20.00	\$ 22.00
	UBN3005	UBolt – M20, Nuts & Washers	2	for 75mm Square RHS	\$ 20.00	\$ 22.00
	UBN3006	UBolt – M20, Nuts & Washers	2	for RHS set on diagonal	\$ 22.00	\$ 24.20
8	HS3080	Clamp Plate	2	for RHS set on diagonal	\$ 15.00	\$ 16.50
9	FE4030	Extension	1		\$220.00	\$242.00
10	CA65	Cap – 65mm Square Insert	2	to cap ends of Item 1	\$ 8.00	\$ 8.80

PRESSWHEEL MODULE

2002 FABRICATED WITH BUSH TYPE PIVOTS

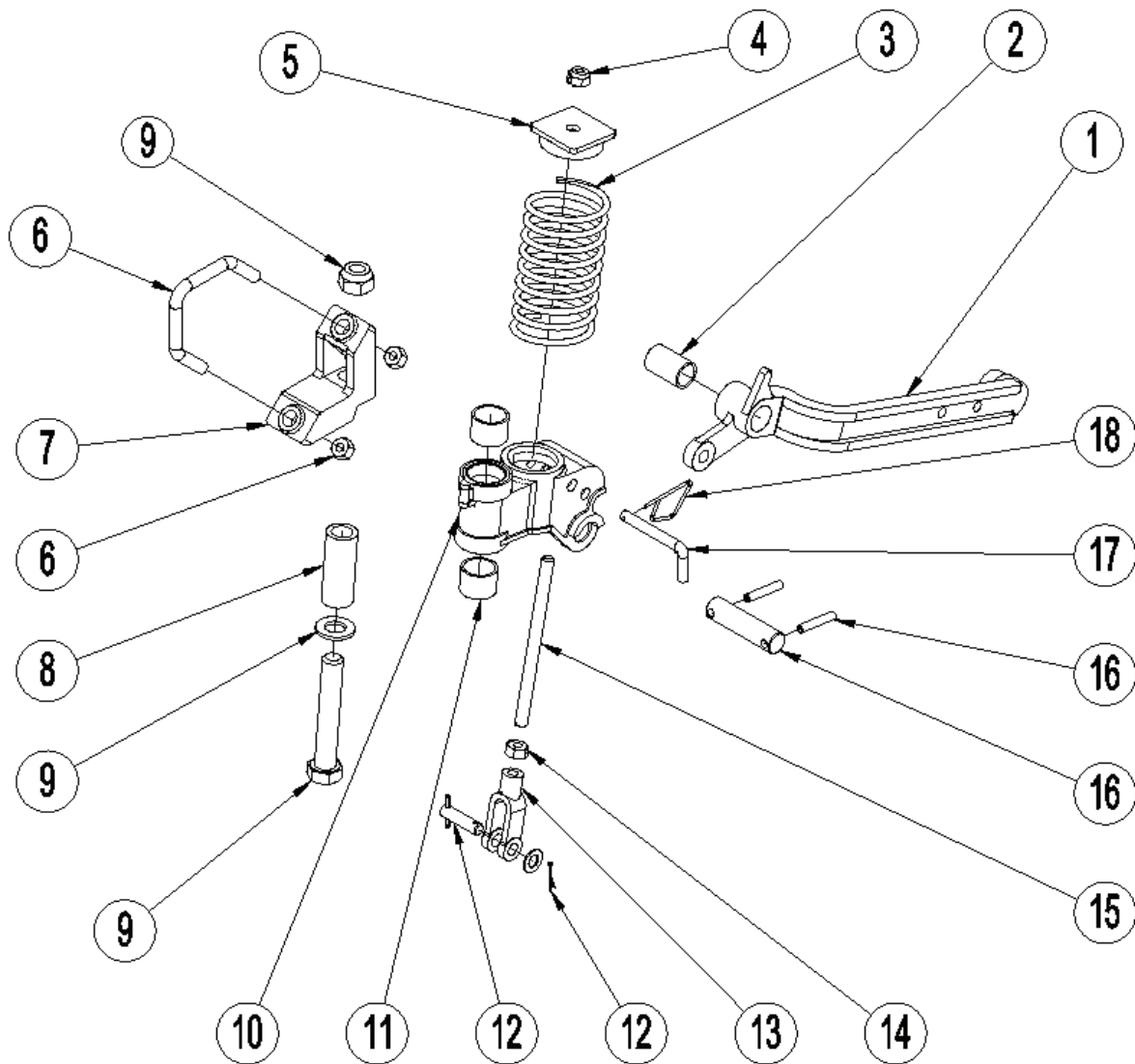


Note: This is for Presswheels up to 2002. For 2003 onwards see following pages

Ref	Part No	Description	Qty	Remarks	Prices	
					Exc	Inc
1	PW4270	Jump Arm 2002	1	Obsolete	\$ --.---	\$ --.---
2	PW4276	Presswheel Jump Arm Bush 2002/03	1		\$ 4.00	\$ 4.40
3	SP4011	Spring 165 x 80	1		\$15.00	\$16.50
	SP4012	Optional Inner Spring 144 x 60	1		\$10.00	\$11.00
4	NU12MNY	Nylock Nut – M12	1		\$ 0.40	\$ 0.44
5	PW4580	Spring Cap	1		\$ 4.00	\$ 4.40
6	VBN4001	V Bolt M12 90x100ctr, Nut & Washer	1		\$ 5.00	\$ 5.50
7	PW4255	Pivot Mount 2002/03	1	Obsolete but Upgradable (PWU45)		
8	PW4265	Track Pivot Spacer 77 x 30 2002/03	1		\$ 3.50	\$ 3.85
9	BNW20M120	Bolt – M20 x 120, Nut, Washer	1		\$ 8.00	\$ 8.80
10	PW4260	Track Pivot 2002	1	Obsolete	\$ --.---	\$ --.---
11	PW4266	Track Pivot Bush 25 x 35 2002/03	2		\$ 4.00	\$ 4.40
12	PW4267	T Bolt M12 x 250	1		\$ 7.00	\$ 7.70
13	BON10M65	Bolt – M10 x 65, Nut	1		\$ 1.50	\$ 1.65
14	PW4275	Jump Arm Spacer 42 x 22 2002/03	1		\$ 2.50	\$ 2.75
15	BNW16M90	Bolt – M16 x 80, Nut, Washer	1		\$ 4.00	\$ 4.40
16	PW4590	Locking Pin	1		\$ 3.00	\$ 3.30
	PI3MIN	R Clip – B9 or Min clip	1		\$ 1.20	\$ 1.32
	PWU45	Mount Upgrade PW4255 to PW4450	1	Includes Sleeve/Bolt	\$50.00	\$55.00

PRESSWHEEL MODULES

2003 WITH BUSH TYPE PIVOTS

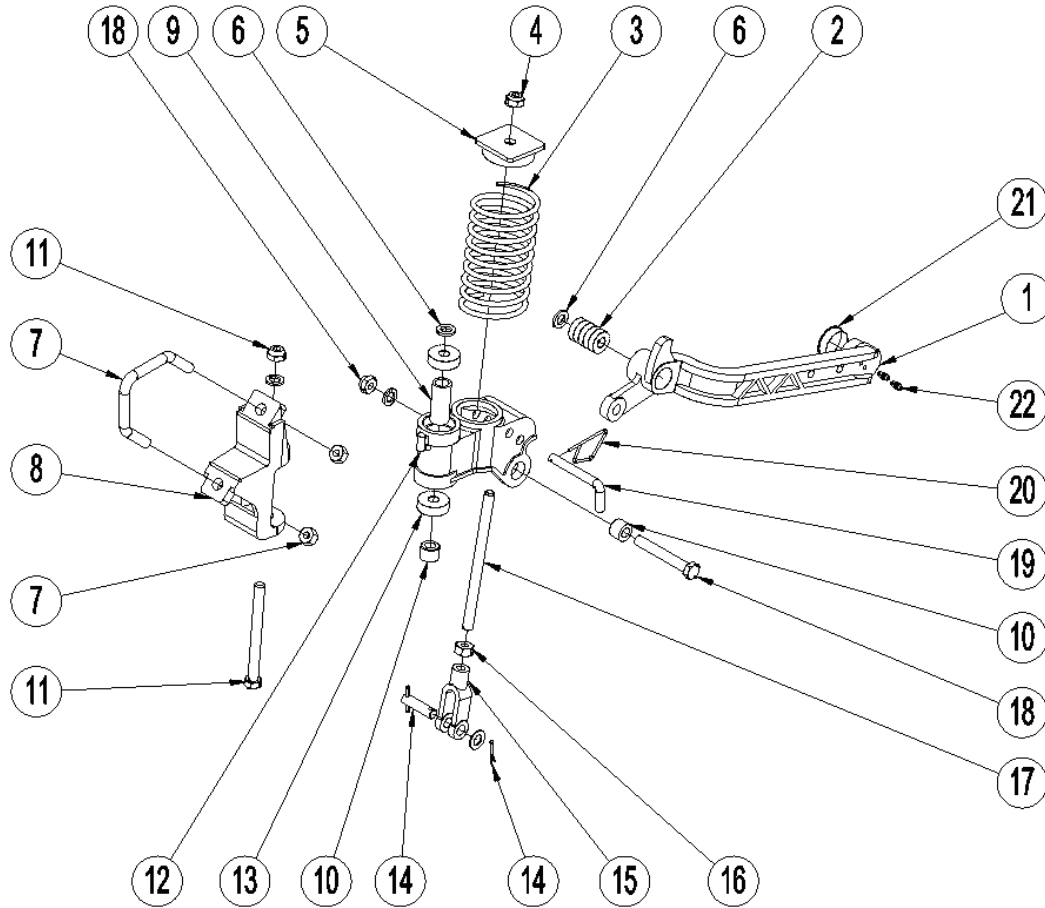


Note: This is for 2003 Model Presswheels. For 2004 model onwards see next page

Ref	Part No	Description	Qty	Remarks	Prices	
					Exc	Inc
1	PW4290	Jump Arm 2003	1	Includes 1, 2	\$70.00	\$77.00
2	PW4276	Jump Arm Bush 41 x 27 2002/03	1		\$ 4.00	\$ 4.40
3	SP4011	Spring 165 x 80	1		\$15.00	\$16.50
	SP4012	Optional Inner Spring 144 x 60	1		\$10.00	\$11.00
4	NU12MNY	Nylock Nut – M12	1		\$ 0.40	\$ 0.44
5	PW4580	Spring Cap	1		\$ 4.00	\$ 4.40
6	VBN4001	V Bolt M12 90x 100ctr, Nut & Washer	1		\$ 5.00	\$ 5.50
7	PW4255	Pivot Mount	1	Obsolete but upgradable (PWU45)		
8	PW4265	Track Pivot Spacer 77 x 30 2002/03	1		\$ 3.50	\$ 3.85
9	BNW20M120	Bolt – M20 x 120, Nut, Washer	1		\$ 8.00	\$ 8.80
10	PW4280	Track Pivot Mount 2003	1	Includes 2 x Item 11	\$70.00	\$77.00
11	PW4266	Track Pivot Bush 25 x 35 2002/03	2		\$ 4.00	\$ 4.40
12	PWS57	Clevis Pin, Split Pin	1		\$ 2.00	\$ 2.20
13	PW4560	Clevis Yoke	1		\$16.00	\$17.60
14	NU12MZP	Nut M12	1		\$ 0.30	\$ 0.33
15	PW4550	Pressure Rod – M12	1		\$ 6.00	\$ 6.60
16	PW4285	Jump Arm Pin 85 x 22 2003	1	Includes Roll Pins	\$ 5.00	\$ 5.50
17	PW4590	Locking Pin	1		\$ 3.00	\$ 3.30
18	PI3MIN	R Clip – B9 or Min clip	1		\$ 1.20	\$ 1.32
	PWU45	Mount Upgrade PW4255 to PW4450	1	Includes Sleeve/Bolt	\$50.00	\$55.00

PRESSWHEEL MODULE

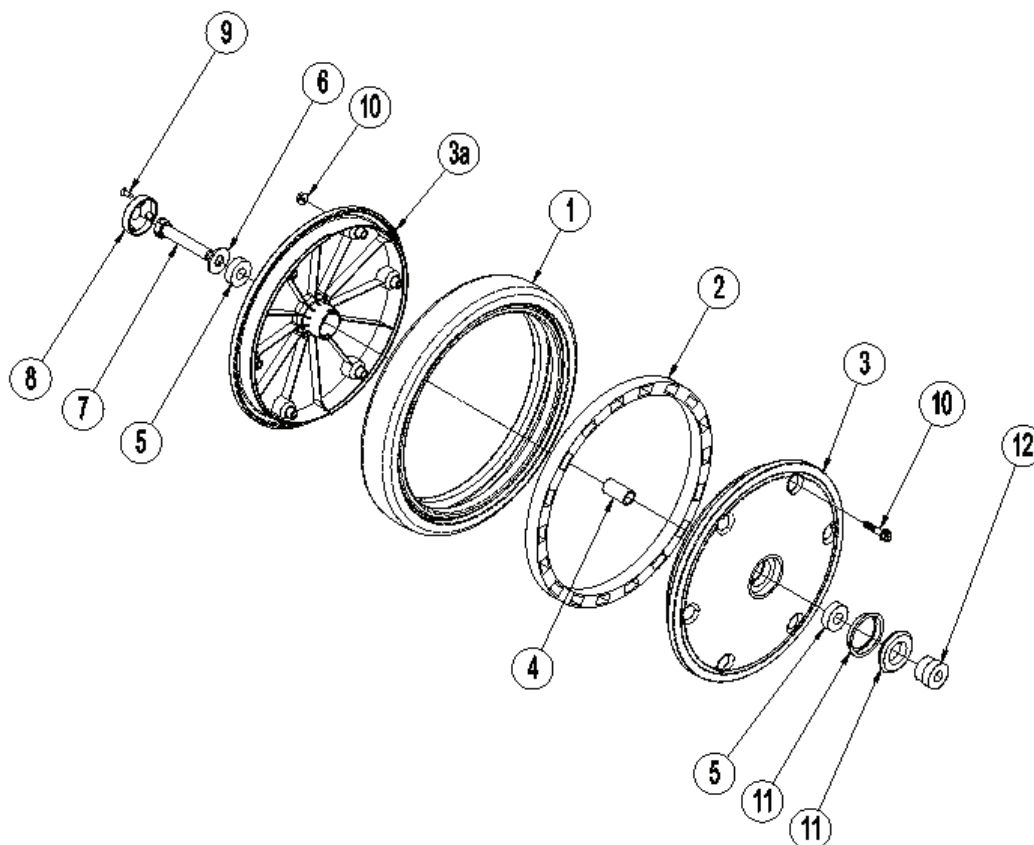
2004 ONWARDS WITH BEARING TYPE PIVOTS



Note: This is 2004 onwards. See previous pages for earlier model parts

Ref	Part No	Description	Qty	Remarks	<u>Prices</u>	
					Exc	Inc
1	PW4420 OR PW4405	Jump Arm 2005 with Bearings Jump Arm 2004 with Bearings & Sleeve	1	includes 1, 2, 22 includes 1, 2, 21	\$80.00	\$88.00
2	BE1228	Bearing (6001-2RS)	5		\$ 2.00	\$ 2.20
3	SP4011 SP4012	Spring 165 x 80 Optional Inner Spring 144 x 60	1		\$15.00 \$10.00	\$16.50 \$11.00
4	NU12MNY	Nylock Nut – M12	3		\$ 0.40	\$ 0.44
5	PW4580	Spring Cap	1		\$ 4.00	\$ 4.40
6	PW4460	Mount/Arm Washer 3 x 22	2		\$ 0.60	\$ 0.66
7	VBN4001	V Bolt M12, Nut & Washer	1		\$ 5.00	\$ 5.50
8	PW4450	Pivot Mount 2004	1		\$40.00	\$44.00
9	PW4480	Track Pivot Bearing Spacer	1		\$ 2.50	\$ 2.75
10	PW4470	Mount/Arm Spacer 15 x 22	2		\$ 0.90	\$ 0.99
11	BNW12M130	Bolt – M12 x 130, Nut & Washer	1		\$ 3.50	\$ 3.85
12	PW4500	Track Pivot with Bearings & Spacer	1	includes 9,12,13	\$60.00	\$66.00
13	BE1237	Bearing (6301-2RS)	2		\$ 3.00	\$ 3.30
14	PWS57	Clevis Pin, Split Pin	1		\$ 2.00	\$ 2.20
15	PW4560	Clevis Yoke	1		\$16.00	\$17.60
16	NU12MZP	Nut M12	1		\$ 0.30	\$ 0.33
17	PW4550	Rod – M12	1		\$ 6.00	\$ 6.60
18	BNW12M85	Bolt – M12 x 85, Nut & Washer	1		\$ 2.50	\$ 2.75
19	PW4590	Locking Pin	1		\$ 3.00	\$ 3.30
20	PI3MIN	R Clip – B9 or Min clip	1		\$ 1.20	\$ 1.32
21	PW4415	Seal Wear Sleeve	1	2004 Model only	\$ 4.00	\$ 4.40
22	GN6	Grease Nipple 6mm Stainless	2	2011 onwards Model only	\$ 0.50	\$ 0.55
	PWS55	Spring kit	1	includes 3,4,5,14,15,16,17	\$45.00	\$49.50
	PW4000	Presswheel Assembly – No Wheel	1	Not incl Item 7 and all items on page 45	\$200.00	\$220.00

PRESSWHEELS PARTS, RIMS, SEALS



Ref	Part No	Description	Qty	Remarks	Prices	
					Exc	Inc
1	PW4300	Tyre – 100mm ‘W’	1	Includes Item 2	\$ 95.00	\$104.50
	PW4310	Tyre – 70 mm V	1	Includes Item 2	\$75.00	\$ 82.50
	PW4320	Tyre – 95 mm V	1	Includes Item 2	\$75.00	\$ 82.50
	PW4330	Tyre – 50 mm flat	1	Includes Item 2	\$75.00	\$ 82.50
	PW4340	Tyre – 20mm wedge	1	Includes Item 2	\$95.00	\$104.50
2	PW4370	Spacer Ring	1		\$10.00	\$ 11.00
3	PW4350	Rim Half – Seal Side with bearing	1	This half has steel ring in it	\$32.00	\$ 35.20
3a	PW4360	Rim Half – Cap Side with bearing	1		\$24.00	\$ 26.20
4	PW4380	Bearing Spacer	1		\$ 2.50	\$ 2.75
5	BE1740	Bearing (6203-2RS)	2		\$ 4.00	\$ 4.40
6	WA16L	Washer M16 Lock Ribbed	1		\$ 1.00	\$ 1.10
7	BO16M90	Bolt – M16 x 90	1	Secures Wheel to Arm	\$ 4.00	\$ 4.40
8	PW4390	Cap	1	From 2003 – Takes 3 x SC825	\$ 4.00	\$ 4.40
	PW4251	Cap – Grey		Knock in type for 2002 model	\$ 4.00	\$ 4.40
9	SC825	Self tapping Screw	3	8 gauge x 25mm countersunk	\$ 0.20	\$ 0.22
10	BON8M35F	Bolt 8M x 35 Flanged, Nut	6/rim		\$ 0.60	\$ 0.66
11	SE36P6641	Seal P6641 & Ring	1	From 2005 – use on PW4420 arm	\$ 5.00	\$ 5.50
	OR					
	SE36PR6518	Seal TC1.437	1	From 2003/04 – use on PW4405 arm	\$ 4.00	\$ 4.40
12	PW4440	30 mm Clearance Spacer -optional	1	To increase clearance between tyre & arm for mud shedding	\$10.00	\$ 11.00
	BO16M120	Bolt M16 x 120mm	1	Required with above spacer PW4440 in place of BO16M90	\$ 4.00	\$ 4.40
	PW4200	100 mm ‘W’ wheel assembly	1	Above Assembly Minus 6, 7, 8, 9	\$160.00	\$176.00
	PW4210	70 mm V wheel assembly	1	Above Assembly Minus 6, 7, 8, 9	\$140.00	\$154.00
	PW4220	95 mm V wheel assembly	1	Above Assembly Minus 6, 7, 8, 9	\$140.00	\$154.00
	PW4230	50 mm flat wheel assembly	1	Above Assembly Minus 6, 7, 8, 9	\$140.00	\$154.00
	PW4240	20 mm wedge wheel assembly	1	Above Assembly Minus 6, 7, 8, 9	\$160.00	\$176.00