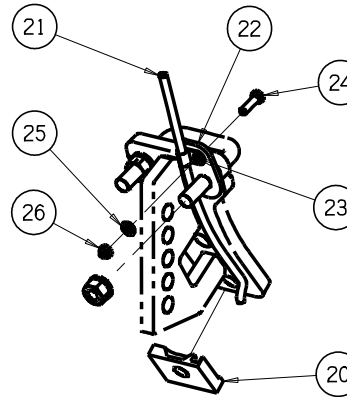


LIQUID N ATTACHMENT

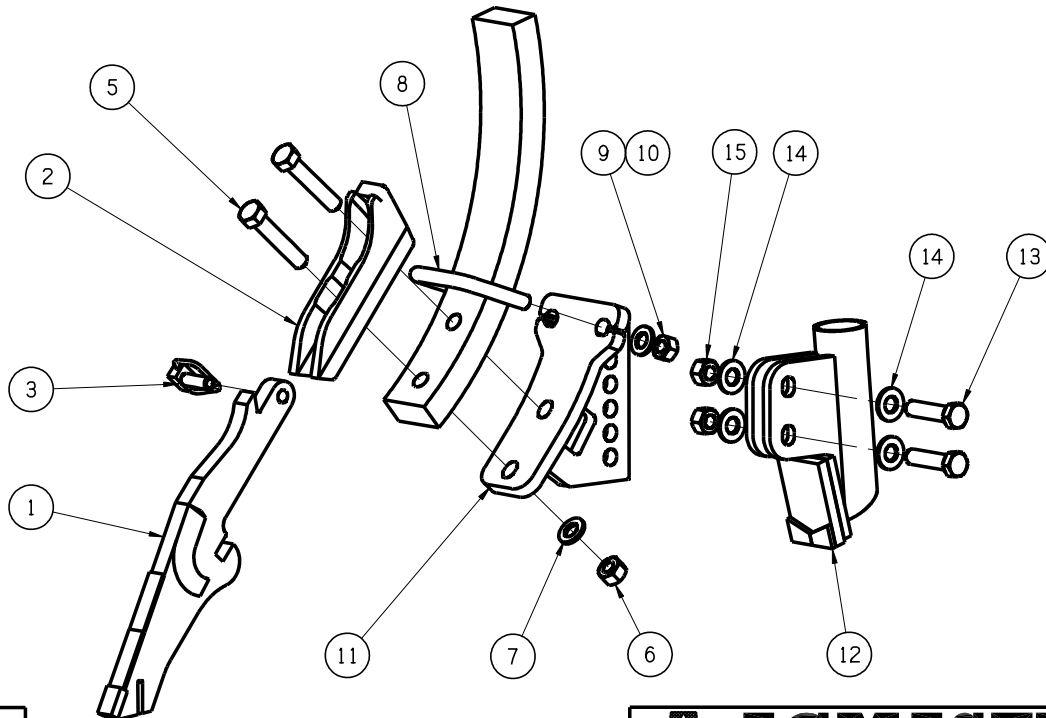
1. Place clamp plate (20) over S bend in tube (21) and secure to lower hole of boot bracket (11) and tye using 1/2" longer bolt.
2. Secure P clamp lug (22) to U bolt leg with P clamp mounting hole above boot bracket (11).
3. Fit P clamp (23) over the tube (21) then secure P clamp to lug with M6 x 20 bolt, washer and nut. Tube should fit up close against the central vertical plate of boot bracket (11) and can be curved to suit bracket profile.

NOTE: Stainless tube (21) is a casing for smaller flexible delivery pipe (not supplied) and should finish close to the bottom of the clamp plate (20).
The flexible delivery pipe continues into the back of the liquid point.



POINT AND BOOT

1. Make delivery hose adaption to boot (12).
Delivery hose 32 -38 OD will fit directly into boot - no adaption necessary.
For 38 ID hose secure 38 OD poly tube into boot and secure inside delivery hose.
2. Bolt boot (12) to bracket (11) using items 13, 14 & 15, after determining a suitable height.
3. Loosely bolt holder (2) and bracket (11) to tye using items 5, 6, & 7.
4. Fit U bolt (8) using item 9 & 10 to secure - DO NOT OVER TIGHTEN. Tighten nuts (6) securing holder (2) and bracket (11).
5. Fit point (1) into holder (2), fit lynch pin (3) through point and secure with loop over end of point (1) to retain.
6. Secure delivery hose to boot (12) with hose clamp or Tek screw (not supplied).



RETENSION ALL BOLTS AFTER 8 hrs WORKING

DOUBLE QUANTITIES OF ITEMS 21 TO 26 INCL FOR DOUBLE KIT

26	1	NU6MNY	NYLOC NUT M6
25	1	WA6MF	FLAT WASHER M6
24	1	UB1003	BOLT M6 X 20
23	1	PC6S	P CLAMP - 6 mm
22	1	LF2550	P CLAMP WC
21	1	LF2570/80	TUBE - 6 mm OT 10 mm
20	1	LF2520	CLAMP PLATE - DOUBLE
20	1	LF2510/30	CLAMP PLATE - SINGLE

LIQUID N KIT

15	2	NU12CL	NUT 1/2" UNF
14	4	WA12D	DOMED WASHER 1/2"
13	2	B0122	BOLT 1/2" UNF X 2'
12	1	BT23XX	BOOT - TO SUIT APPLICATION
11	1	BT20XX	BRACKET - TO SUIT TYNE
10	2	WA12MF	FLAT WASHER M12
9	2	NU12MNY	NYLOC NUT M12
8	1	UB2002	U BOLT FOR UP TO 28 WIDE TYNES
8	1	UB2001	U BOLT FOR 50 WIDE TYNES
7	2	WA12D	DOMED WASHER 1/2"
7	2	WA716F	FLAT WASHER 7/16"
6	2	NU12CL	NUT 1/2" UNF
6	2	NU716CL	NUT 7/16" UNF
5	2	B0123	BOLT 1/2" UNF X 3"
5	2	B012212	BOLT 1/2" UNF X 2 1/2"
5	2	B0716234	BOLT 7/16" UNF X 2 3/4"
3	1	PI10L	LYNCH PIN
2	1		HOLDER - TO SUIT TYNE
1	1		POINT - TO SUIT TYNE
REF	QTY	PART No	DRG SIZE DESCRIPTION

ALL RIGHTS STRICTLY RESERVED
REPRODUCTION OR ISSUE TO THIRD
PARTIES IN ANY FORM WHATEVER
IS NOT PERMITTED WITHOUT WRITTEN
AUTHORITY FROM AGMASTER.



ASSY INSTRUCTIONS
NT11 POINTS & BOOTS

A11020