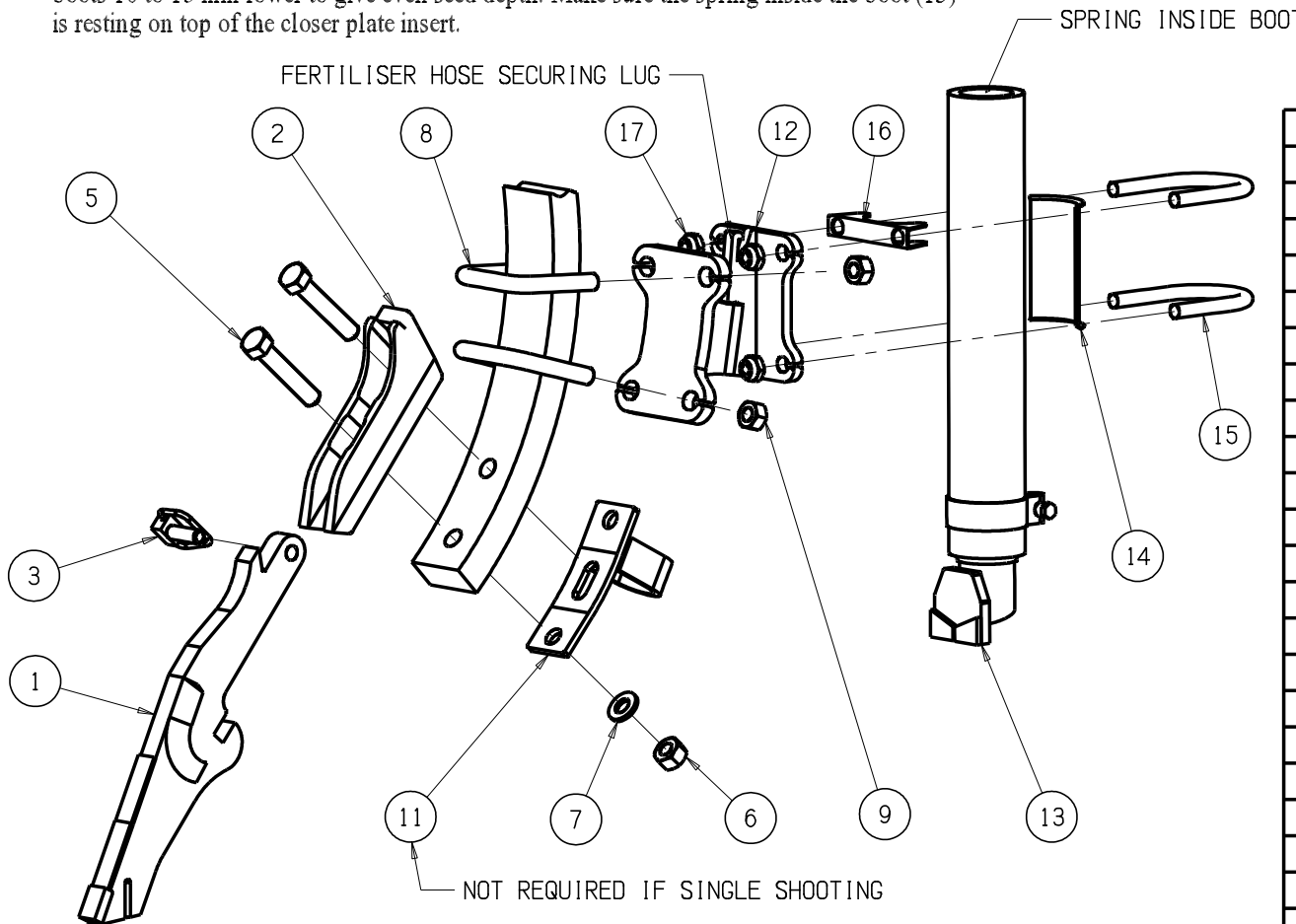


1. Fit holder (2) and fertiliser hose holder (11) to tyne using items 5, 6 & 7.
2. Fit bracket (12) to tyne above item 11 using items 8, 9 & 10. On flat tynes the bracket (12) rests against holder (11). With 'edge on' tynes there will likely be a gap between 11 & 12.
3. Cut the end of the fertiliser hose at 45 degrees (rear higher) and fit through brackets (11 & 12) until end is between bracket bolts, secure to item 12 lug with hose clamp (not supplied). Bracket 11 is reversible for higher or lower securing of the fertilizer tube.
4. Fit boot (13) to bracket (12) using items 14, 15, 16 & 17 after determining a suitable height. (normally 50mm higher than knife). When using presswheels consider setting rear row of boots 10 to 15 mm lower to give even seed depth. Make sure the spring inside the boot (13) is resting on top of the closer plate insert.
5. Most seed hose will fit inside boot and can be pushed through to top of spring inside boot. 38 mm OD poly pipe may be needed as a transition piece if seed hose is too large or too small.
6. Fit point (1) to holder (2), fit lynch pin (3) through point and secure with loop over point (1) to retain.



RETENSION ALL BOLTS AFTER 8 hrs WORKING

17	4	NU10MN		NYLOC NUT M10
16	1	FB2820		CLAMP
15	2	UB2007		U BOLT
14	1	FB2810		SADDLE
13	1			BOOT - TO SUIT APPLICATION
12	1			BRACKET - TO SUIT TYNE
11	1	FB2800		FERTILISER HOSE HOLDER
10				
9	2	NU12MNY		NYLOC NUT M12
8	1	UB2002		U BOLT FOR UP TO 28 WIDE TYNES
8	1	UB2001		U BOLT FOR 50 WIDE TYNES
7	2	WA12F		FLAT WASHER 1/2"
7	2	WA716F		FLAT WASHER 7/16"
6	2	NU12CL		NUT 1/2" UNF
6	2	NU716CL		NUT 7/16" UNF
5	2	BD1212		BOLT 1/2" UNF X 2 1/2"
5	2	BD12214		BOLT 1/2" UNF X 2 1/4"
5	2	BD716212		BOLT 7/16" UNF X 2 1/2"
3	1	PI10L		LYNCH PIN
2	1			HOLDER - TO SUIT TYNE
1	1			POINT - TO SUIT TYNE
REF	QTY	PART No	DRG SIZE	DESCRIPTION

ALL RIGHTS STRICTLY RESERVED
REPRODUCTION OR ISSUE TO THIRD
PARTIES IN ANY FORM WHATSOEVER
IS NOT PERMITTED WITHOUT WRITTEN
AUTHORITY FROM AGMASTER.

AGMASTER
2067 MARSHALL ST. COLLIE WA 6225

ASSY INSTRUCTIONS
FLEXI BOOT & POINT

AI1030