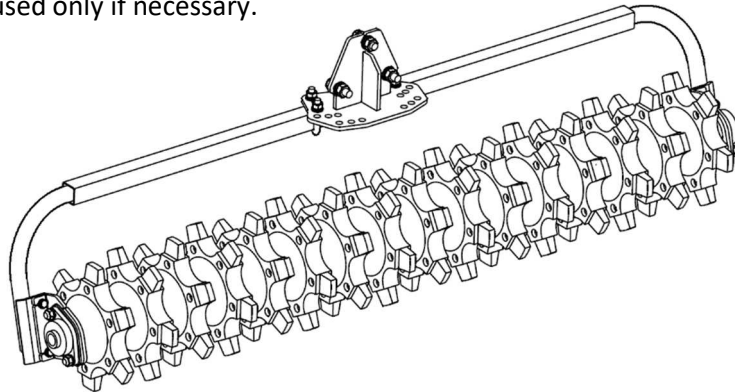


## HARROWS

### Star Harrow Gangs

The Rotary Star Harrows are available in 4ft, 5ft and 6ft coverage gangs. Each gang will cover its respective width at the maximum working angle (30°). In general, most harrows are set in mid range of adjustment for angle, hence there is usually ample to suit the required width of cover. 4ft and 5ft Gangs give a more even finish and 6ft gangs are recommended to be used only if necessary.

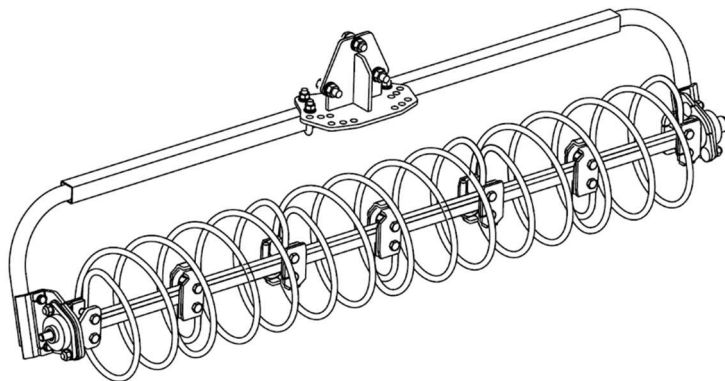


Part No		<u>Prices</u>	
		<i>Exc</i>	<i>Inc</i>
HAT24	4ft Gang (HA3240 – 10 Stars) with Turntable	\$1050.00	\$1155.00
HAT25	5ft Gang (HA3250 – 13 Stars) with Turntable	\$1250.00	\$1375.00
HAT26	6ft Gang (HA3260 – 16 Stars) with Turntable	\$1450.00	\$1595.00

Order TAS-- Arms with these Harrows ([page 40](#))

### Coil Harrow Gangs

Coil Harrow Gangs are available in 4ft and 5ft coverage gangs



HAT74	4ft Gang (HA3740 – 3 springs) with Turntable	\$1050.00	\$1155.00
HAT75	5ft Gang (HA3750 – 4 springs) with Turntable	\$1250.00	\$1375.00

Order TAH-- Arms with these Harrows ([page 40](#))

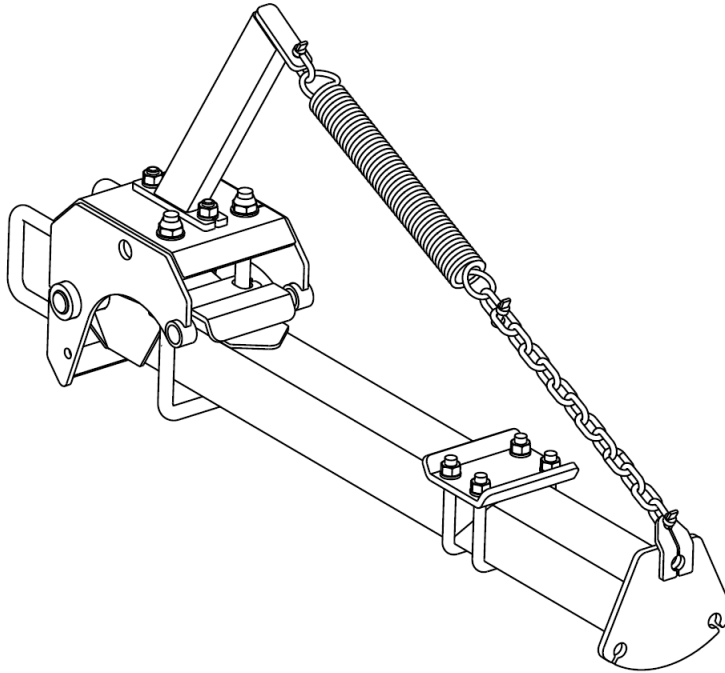
If ordering for use with other than Agmaster Telescopic Arms also order mounting plate **XTA3132** \$ 10.00 \$ 11.00

Replacement Parts for these gangs are on [pages 41 - 43](#)

*Not sure what kit part number you need? Or what options are available for a particular machine? Use one of our online building tools for Seeding Kits and Presswheels which will work it all out for you! [www.agmaster.com.au](http://www.agmaster.com.au)*

## TELESCOPIC MOUNTING ARMS

Telescopic Harrow Arms come complete with Spring Kit on the top, bolts, nuts and backing plates to mount on the machine frame. One Arm required for each Harrow Gang.



		<u>Prices</u>	
		<i>Exc</i>	<i>Inc</i>
<b>Tele Arms to suit Star Harrows</b>			
TAS04	Telescopic Arm Kit to suit 100 x 100mm frame	\$700.00	\$770.00
TAS05	Telescopic Arm Kit to suit 75 x 75mm frame	\$700.00	\$770.00
TAS08	Telescopic Arm Kit to suit 75 x 75mm diamond frame (Shearer)	\$700.00	\$770.00
TAS00	Telescopic Arm Kit to bolt on behind Agmaster fixed extensions for Presswheels	\$700.00	\$770.00

**Tele Arms to suit Coil Harrows** - comes with stronger spring for heavier coil gangs

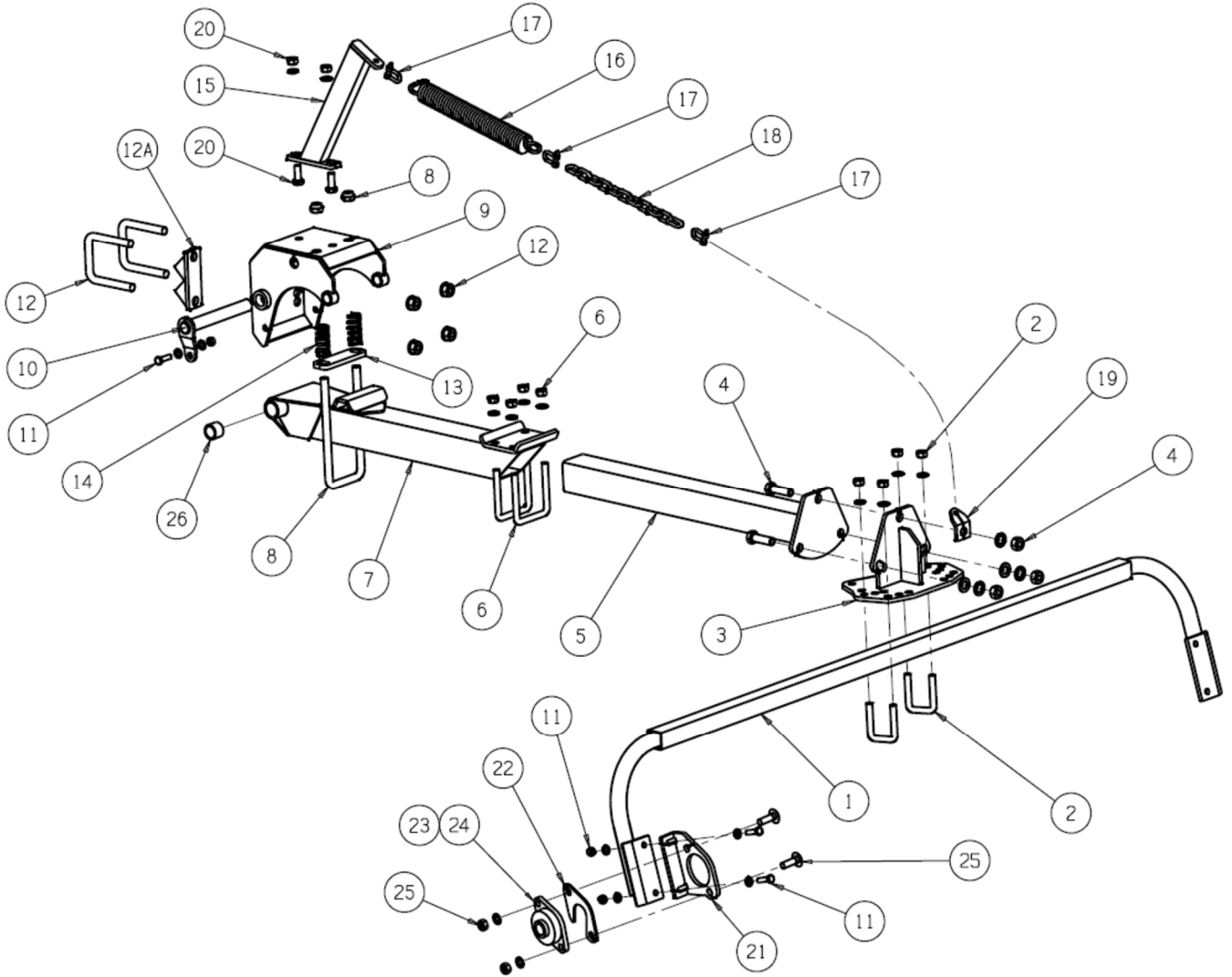
TAH04	Telescopic Arm Kit to suit 100 x 100mm frame	\$700.00	\$770.00
TAH05	Telescopic Arm Kit to suit 75 x 75mm frame	\$700.00	\$770.00
TAH08	Telescopic Arm Kit to suit 75 x 75mm diamond frame (Shearer)	\$700.00	\$770.00
TAH00	Telescopic Arm Kit to bolt on behind Agmaster fixed extensions for Presswheels	\$700.00	\$770.00

Replacement Parts for these arms are on pages 41 - 42

*Not sure what kit part number you need? Or what options are available for a particular machine? Use one of our online building tools for Seeding Kits and Presswheels which will work it all out for you! [www.agmaster.com.au](http://www.agmaster.com.au)*

# HARROW COMPONENTS

## TELE ARMS/TURNTABLE/GANG FRAME



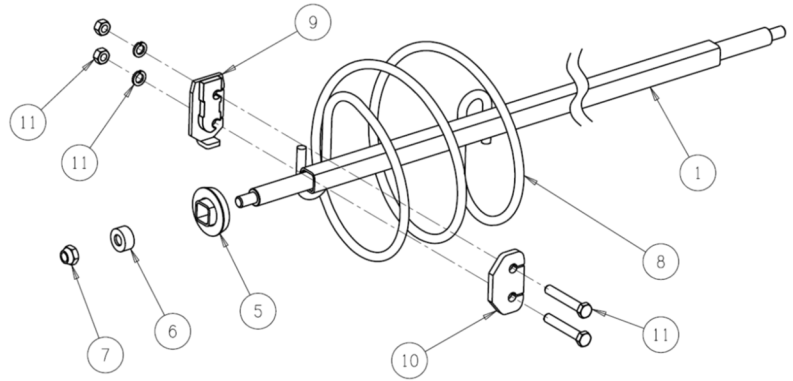
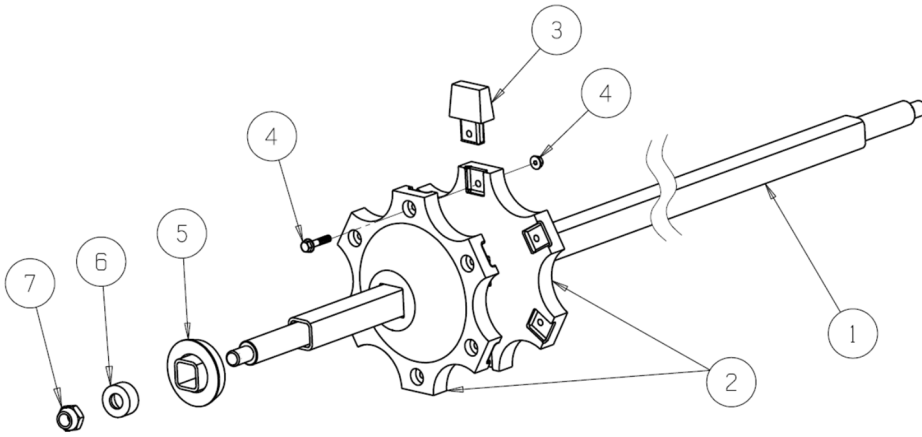
Ref	Part No	Description	Qty	Remarks	Prices	
					Exc	Inc
1	HA3340	4' U Frame	1		\$170.00	\$187.00
	HA3350	5' U Frame	1		\$190.00	\$209.00
	HA3360	6' U Frame	1		\$210.00	\$231.00
2	UBN3003	U Bolt – M16, Nut & Washer	2		\$ 10.00	\$ 11.00
3	HA3310	Turntable	1		\$120.00	\$132.00
4	BNW20M60	Bolt – M20 x 60, Nut & Washer	3		\$ 5.00	\$ 5.50
5	TA3130	Inner Arm	1		\$ 90.00	\$ 99.00
6	UBN3002	U Bolt – M16, Nut & Washer	2		\$ 15.00	\$ 16.50
7	TA3120	Outer Arm	1		\$240.00	\$264.00
8	UBN3001	U Bolt – M20, Nut & Washer	1		\$ 30.00	\$ 33.00
9	HS3030	Headstock	1		\$210.00	\$231.00
10	HS3040	Pivot Pin	1		\$ 20.00	\$ 22.00
11	BNW12M40	Bolt – M12 x 40, Nut & Washer	5		\$ 2.00	\$ 2.20
12	UBN3004	UBolt M20 – <i>Supersedes HS3060</i>	2	for 100 mm Square RHS	\$ 20.00	\$ 22.00
	BNW20M120	Bolt – M20 x 120, Nut & Washer	4	for 75 mm Square RHS	\$ 8.00	\$ 8.80
	UBN3006	U-Bolt Bolt M20 x 170	2	Used with RHS Set on diagonal	\$ 22.00	\$ 24.20
12a	HS3070	Clamp Plate with BNW20M120	2	for 75mm Square RHS	\$ 10.00	\$ 11.00
	HS3080	Clamp Plate with UB3006	2	Used with RHS set on diagonal	\$ 15.00	\$ 16.50
13	HS3090	Spring Plate	1	(Not used on Combines)	\$ 8.00	\$ 8.80
14	SP3011	Spring	2	(Not used on Combines)	\$ 5.00	\$ 5.50

*Not sure what kit part number you need? Or what options are available for a particular machine? Use one of our online building tools for Seeding Kits and Presswheels which will work it all out for you! [www.agmaster.com.au](http://www.agmaster.com.au)*

Ref	Part No	Description	Qty	Remarks	Prices	
					Exc	Inc
15	HK3610	Spring Arm	1		\$50.00	\$55.00
16	SP3012	Spring 350 long	1		\$30.00	\$33.00
	SP3013	Spring 460 long for Coil Harrows	1		\$40.00	\$44.00
17	SH10D	Shackle	3		\$ 2.50	\$ 2.75
18	CH8X500	Chain 500mm long	1		\$ 9.00	\$ 9.90
19	HK3620	Lifting Lug	1		\$ 5.00	\$ 5.50
20	BNW16M40	Bolt – M16 x 40	2		\$ 3.00	\$ 3.30
21	HA3370	Brace/Bearing RH Assembled	1	Includes 21a,22,23,24,25	\$70.00	\$77.00
	HA3380	Brace/Bearing LH Assembled	1	Includes 21b,22,23,24,25	\$70.00	\$77.00
21a	HA3371	Bracket – RH	1		\$35.00	\$38.50
21b	HA3381	Bracket – LH (shown)	1		\$35.00	\$38.50
22	HA3372	Spacer plate	2		\$ 5.00	\$ 5.50
23	BE114UCR3	Bearing – UC207-20R3	2	Triple Lip Seal	\$15.00	\$16.50
24	BE114FL	Flanged housing – 1 1/4" F207	2		\$ 8.00	\$ 8.80
25	BON16M50CUP	Cup Head Sq Bolt M16 x 50 & Nut	4		\$ 5.00	\$ 5.50
26	XTA3123	Tele Arm Outer Bush	2	Nyaltron Insert	\$ 5.00	\$ 5.50

*Not sure what kit part number you need? Or what options are available for a particular machine? Use one of our online building tools for Seeding Kits and Presswheels which will work it all out for you! [www.agmaster.com.au](http://www.agmaster.com.au)*

## STARS, COILS & AXLES



Ref	Part No	Description	Qty	Remarks	Prices	
					Exc	Inc
1	<b>HA3440</b>	4ft Axle	1		<b>\$120.00</b>	<b>\$132.00</b>
	<b>HA3450</b>	5ft Axle	1		<b>\$130.00</b>	<b>\$143.00</b>
	<b>HA3460</b>	6ft Axle	1		<b>\$140.00</b>	<b>\$154.00</b>
2	<b>HA3510</b>	Star Half	2 per star		<b>\$ 20.00</b>	<b>\$ 22.00</b>
3	<b>HA3520</b>	Star Tip	6 per star		<b>\$ 4.50</b>	<b>\$ 4.95</b>
4	<b>HA3520x100</b>	Star Tips - box of 100			<b>\$400.00</b>	<b>\$440.00</b>
4	<b>BON8M35F</b>	Bolt 8M x 35mm flanged & Nut	6 per star		<b>\$ 0.60</b>	<b>\$ 0.66</b>
	<b>HA3500</b>	Harrow Star Assembled	1	Items 2, 3, 4 Assembled 10 Stars per 4ft axle 13 stars per 5ft axle 16 stars per 6ft axle	<b>\$ 62.00</b>	<b>\$ 68.20</b>
5	<b>HA3390</b>	Slinger	2		<b>\$ 20.00</b>	<b>\$ 22.00</b>
6	<b>HA3410</b>	Sleeve	2		<b>\$ 4.00</b>	<b>\$ 4.40</b>
7	<b>NU20MNY</b>	Nut – 20mm Nylock	2		<b>\$ 1.50</b>	<b>\$ 1.65</b>
8	<b>SP3701</b>	Spring Harrow Coil	3	Springs per 4ft axle	<b>\$135.00</b>	<b>\$148.50</b>
			4	Springs per 5ft axle		
9	<b>HA3710</b>	Coil Clamp	6	per 4ft axle	<b>\$ 15.00</b>	<b>\$ 16.50</b>
			8	per 5ft axle		
10	<b>HA3720</b>	Coil Clamp End Plate	2	per gang	<b>\$ 8.00</b>	<b>\$ 8.80</b>
11	<b>BON16M110</b>	Bolt M16 x 110 ZP, Nuts	8	per 4ft axle	<b>\$ 5.00</b>	<b>\$ 5.50</b>
			10	per 5ft axle		

*Not sure what kit part number you need? Or what options are available for a particular machine? Use one of our online building tools for Seeding Kits and Presswheels which will work it all out for you! [www.agmaster.com.au](http://www.agmaster.com.au)*