



AGMASTER

1800 NOTILL



- **NEW** NT20M Seeding Kits to suit Morris Contour 1(C1) P14
- **NT21D Adjusta-Point** to suit DBS P20



PRICE FREEZE!
NO CHANGE FROM
2024 PRICES

2025

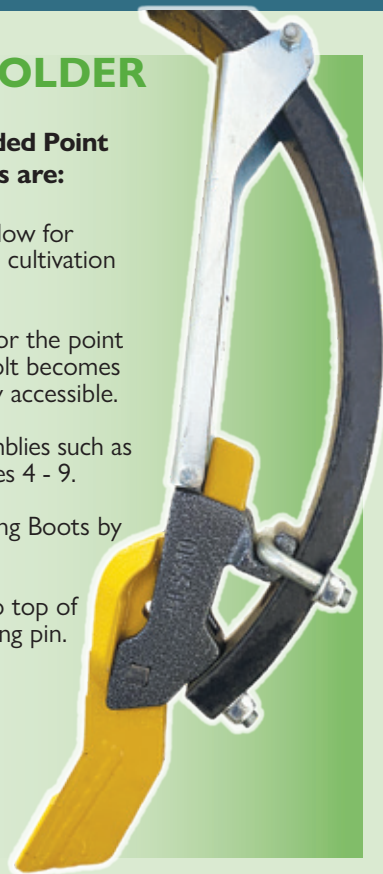
PRODUCTS AND PRICES
Effective 1st January 2025

- **NO-TILL SEEDING KITS**
- **PRESSWHEELS**
- **HARROWS**

NT19 ADJUSTA-POINT AND HOLDER

The NT19 Adjusta-Point is our latest and recommended Point & Holder system for C-Shank tyne. The key features are:

- HEIGHT ADJUSTABLE with three different settings to allow for lowering of point as it wears or for more below the seed cultivation if desired.
- SECURE BOLTING ARRANGEMENT by using a u-bolt for the point holder to help prevent sideways movement if the tyne bolt becomes loose or worn. There is only one tyne bolt which is easily accessible.
- COMPATIBLE with current range of Agmaster boot assemblies such as Multi-Boot, Rigid Boots and FlexiBoots as pictured on pages 4 - 9.
- ADAPTABLE for use with our popular NT11 Rigid Seeding Boots by using a customised bent u-bolt.
- SECURE TRASHGUARD design which is fixed directly to top of point holder. Design doesn't affect access to point retaining pin. These are included as standard in all NT19 seeding kits.
- LIQUID point options available
- LO-THRO or STRAIGHT profiles to choose from
- EASY ACCESS pin & R-clip **IMPROVED FOR 2025**



For complete seeding kits, see pages 4 - 9

For spare parts and accessories such as trashguards and liquid kits, see pages 21 - 23

HARDFACING IMPROVEMENT

We have increased the area and thickness of hardface weld on the sides of our NT19 Adjusta-Points for the 2024 season and onwards. This should help retain knife material behind the tungsten.

This brochure is only a selection of our most common & latest products. For our full range of products, visit our website to view our Parts Book or Products sections

www.agmaster.com.au



*For all Seeding Kit part numbers and their prices, use our Seeding Kit Builder at www.agmaster.com.au
All prices exclude any freight costs that may apply*

NT19 ADJUSTA-POINT OPTIONS

All NT19 Adjusta-Points are 14mm wide, and fit into the same point holder. There are some other variations depending on the profile option:

LO-THRO PROFILE

- 325mm overall length
- Vertical section toward top of knife reduces soil throw by disrupting soil flow up point



STRAIGHT PROFILE

- 315mm overall length
- More traditional point angle
- Extra material in knife can provide additional strength



PICTURED:

- NT19 Rigid Boot Seeding Kit w
- PT5650 point, BT2550 seed boot & additional liquid kit (p21)

For all Seeding Kit part numbers and their prices, use our Seeding Kit Builder at www.agmaster.com.au

All prices exclude any freight costs that may apply

Limited quantities of shorter points for less cultivation are now available on request. Discuss with Agmaster or your Dealer for further information.

NEW

NT19 RIGID BOOT SEEDING KIT

Progression of our NT11 Series

- Choose from Adjusta-Point range (p2-3)
- Height-adjustable seeding boot
- Multiple seed boot options to suit both single-shoot & dual-shoot programs (p23)
- Choice of 40mm or 50mm closer on standard single-shoot boot (pictured)
- Improved bolt accessibility on bracket at back of tyne
- Weld-on closer plates available for self-repair
- Wetter with seed provision on cast single-shoot seed boots (BT2540/BT2550)

PRICE:

Standard Kit as pictured **\$265** +GST

See page 23 for other boot option pictures and kit price difference.



PICTURED:

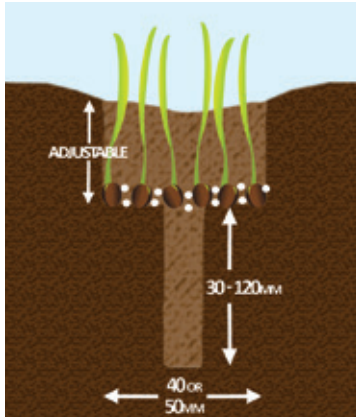
- Standard Lo-Thro Adjusta-Point PT5640
- 50mm Single-Shoot Boot BT2550
- Trashguard

SEEDING BOOT OPTIONS

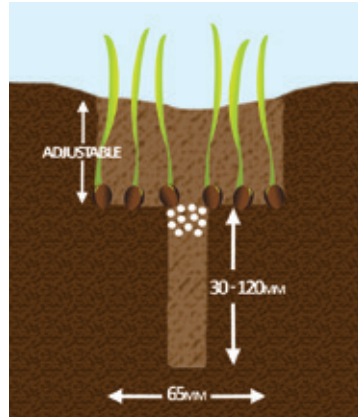
- BT2540 Single-Shoot w 40mm Closer
- BT2550 Single-Shoot w 50mm Closer (as pictured)
- BT2390 Dual Shoot w 65mm closer (P23)

NT19 RIGID BOOT SEEDING PROFILES

SINGLE SHOOT



DUAL SHOOT



For all Seeding Kit part numbers and their prices, use our Seeding Kit Builder at www.agmaster.com.au
All prices exclude any freight costs that may apply

NT19 FLEXIBOOT SEEDING KIT

Progression of our NT11 Series

- Choose from Adjusta-Point range (p2-3)
- Height-adjustable seeding boot
- The seeding boot is a stiff but flexible hose with 40mm closer plate which self-cleans in heavy soils
- Suits both single-shoot & dual-shoot programs
- Allows banding of fertiliser in knife point slot when dual shooting
- 50mm closer available for wider spread in light soils. 40mm is the general recommendation.
- Weld-on closer plates available for self repair

PRICE:

Standard Kit as pictured **\$345** +GST

SEEDING BOOT OPTIONS

- FB2840 w 40mm closer
(as pictured & recommended)
- FB2850 w 50mm closer on request

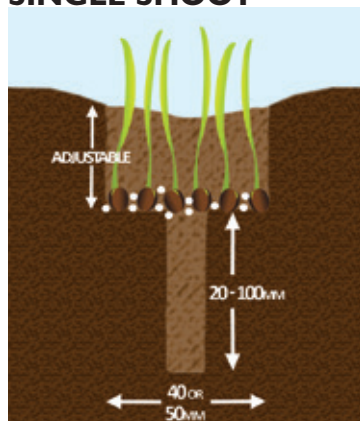


PICTURED:

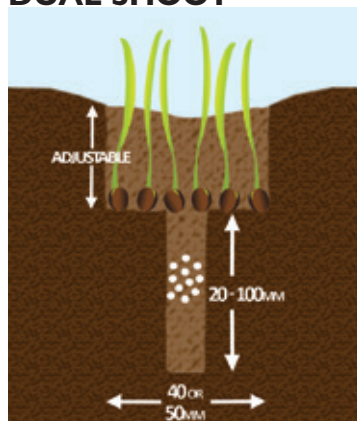
- Standard Lo-Thro Adjusta-Point PT5640
- 40mm Flexi-Boot FB2840
- Trashguard

NT19 FLEXIBOOT SEEDING PROFILES

SINGLE SHOOT



DUAL SHOOT



For all Seeding Kit part numbers and their prices, use our Seeding Kit Builder at www.agmaster.com.au
All prices exclude any freight costs that may apply

NT19 MULTIBOOT SEEDING KIT - SINGLE ROW

- Choose from Adjusta-Point range (p2-3)
- 45mm replaceable closer
- Modular system. Easily interchange between paired-row and single-row
- Suits both single-shoot & dual-shoot programs; optional dry fertiliser boot available if required
- Built-in capability for directing liquid behind the point
- Provision for wetter with the seed

For more detailed information about the Multi-Boot system see pages 8 - 9

PRICE:

Kit as shown **\$270** +GST

Wetter with seed tube not included in kit, order separately

More kit options and prices can be found on page 9

SEEDING BOOT OPTIONS (P8)

- CL5240 45mm Single Closer (as pictured)

Can be interchanged with Paired-Row Seeker

Wings on P7



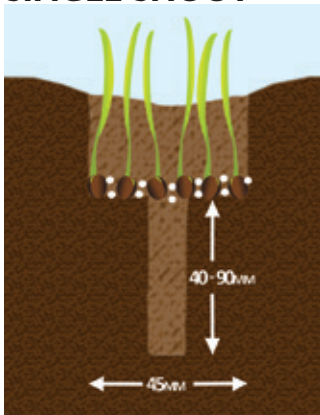
PICTURED:

Multi-Boot Single Row

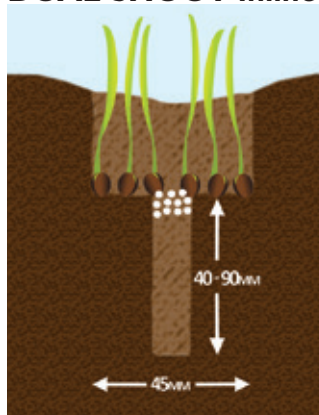
- Standard Lo-Thro Adjusta-Point PT5640
- 45mm Single-Row Closer CL5240
- Trashguard
- Wetter w Seed tube (ordered separately)

NT19 MULTIBOOT SINGLE ROW SEEDING PROFILES

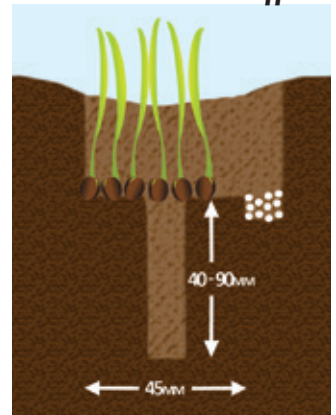
SINGLE SHOOT



DUAL SHOOT Inline



DUAL SHOOT Offset



For all Seeding Kit part numbers and their prices, use our Seeding Kit Builder at www.agmaster.com.au
All prices exclude any freight costs that may apply

NT19 MULTIBOOT SEEDING KIT - PAIRED ROW

- Choose from Adjusta-Point range (p2-3)
- Three Seeker Wing widths to choose from
- Modular system. Easily interchange between paired-row and single-row
- Suits both single-shoot & dual-shoot programs; optional dry fertiliser boot available if required
- Built-in capability for directing liquid behind the point
- Provision for wetter with the seed

IMPROVED
PIN FOR
2025



For more detailed information about the Multi-Boot system see pages 8 - 9

PRICE:

Kit as pictured **\$380** +GST

Wetter with seed tubes not included in kit, order separately

More kit options and prices can be found on page 9

SEEDING BOOT OPTIONS (P8)

- SW5270 75mm Seeker Wing
- SW5280 85mm Seeker Wing
- SW5290 95mm Seeker Wing (as pictured)

Can be interchanged with Single-Row Closer P6

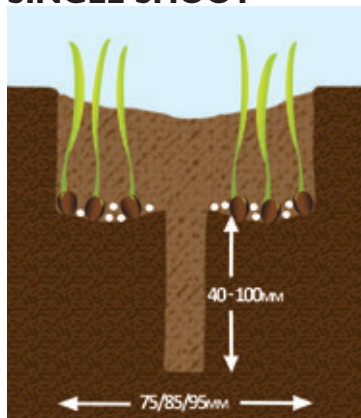
PICTURED:

Multi-Boot Paired Row

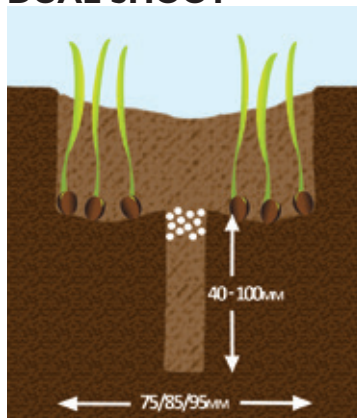
- Standard Lo-Thro Adjusta Point PT5640
- 95mm Paired Row Seeker Wing SW6290
- Trashguard
- Wetter w Seed tubes (ordered separately)

NT19 MULTIBOOT SEEKER SEEDING PROFILES

SINGLE SHOOT



DUAL SHOOT



For all Seeding Kit part numbers and their prices, use our Seeding Kit Builder at www.agmaster.com.au
All prices exclude any freight costs that may apply

NT19 MULTI BOOT C-SHANK

The Multi-Boot seeding system is a modular kit for double-bolt c-shank tynes which provides the flexibility to choose between multiple paired-row and single-row closing tool options. The key features of this system are:

- Multiple closing tool options with flexibility to easily alternate between paired and single-row depending on conditions and crop type. See below graphic for details.
- Compatible with both NT19 Adjusta-Point and NT11 Point & Holder systems
- Optional dry fertiliser boot is available for dual shoot systems
- There is provision for liquid down the knife point slot and/or wetter with the seed
- A secure bolting arrangement on the closing tool and dry fertiliser boot
- Bracket options to suit 50mm Flat C-Shank tynes and 30mm Edge-On tynes

BUILD YOUR KIT:

1. Select Kit Base
2. Select Point
3. Select Closing Tool
4. Add optional extras

Kit price includes all parts & fasteners required for assembly. Alternatively, see page 9 for common configurations and their prices

- 1. Kit Base**
\$130 +GST Standard
\$135 +GST Liquid

4. Optional Extras

LF5520

Stainless Tube for Seed Wetter
One required per seed row
\$5 +GST

FB5310

Dual-Shoot Dry Fertiliser Boot
\$50 +GST

2. NT19 Adjusta-Point Options Standard 14mm



PT5640
Lo-Thro
\$90 +GST



PT5660
Straight
\$90 +GST

Liquid 14mm



PT5650
Lo-Thro
\$120 +GST



PT5670
Straight
\$120 +GST

3. Closing Tool Options Paired Row



SW5290
95mm Seeker Wing
(rows 75mm apart)
\$160 +GST



SW5280
85mm Seeker Wing
(rows 65mm apart)
\$150 +GST



SW5270
75mm Seeker Wing
(rows 55mm apart)
\$150 +GST

Single Row



CL5240
45mm Closer
\$50 +GST

For all Seeding Kit part numbers and their prices, use our Seeding Kit Builder at www.agmaster.com.au
 All prices exclude any freight costs that may apply

NT19 MULTI BOOT ASSEMBLIES

The seeding assemblies below include the parts pictured as well as all bolts and fasteners required for assembly. **Please note that X's in part #'s need to be filled with a figure depending on machine type, tyne type & seeker width (if applicable).** For assistance please contact Agmaster, your local dealer or use the Seeding Kit Builder www.agmaster.com.au

Adjusta-Point & Multi-Boot for C-Shank Tynes



PMB64611x2x

Standard Adjusta Point with Paired Row Seeker Wing

\$370-\$380 +GST
Depending on seeker width



PMB65611x2x

Liquid Adjusta Point with Paired Row Seeker Wing

\$405-\$415 +GST
Depending on seeker width



PMB64611x24

Standard Adjusta Point with Single Row 45mm Closer

\$270 +GST



PMB65611x24

Liquid Adjusta Point with Single Row 45mm Closer

\$305 +GST



BMB1x29

MultiBoot only with 95mm Paired Row Seeker Wing

\$235 +GST



BMB1x27

MultiBoot only with 75mm Paired Row Seeker Wing

\$225 +GST



BMB1x24

MultiBoot only with Single Row 45mm Closer

\$125 +GST

DUAL SHOOT OPTION



FB5310

Dry Fertiliser Boot
\$50 +GST To add to any paired row kit, add 31 to end of part # and increase kit price. Contact Agmaster re single-row dual shoot

For all Seeding Kit part numbers and their prices, use our Seeding Kit Builder at www.agmaster.com.au
All prices exclude any freight costs that may apply

NT20 ADJUSTA-POINT

Our NT20 Adjusta-Point is the height-adjustable point used in our NT20 Multi-Boot Module seeding system. Currently, this system is available to suit the following machines:

- Morris Quantum P12-13
- Morris Contour 2 & 3 P12-13
- Morris Contour 1 **(NEW)** P14-15
- Bourgault Paralink P16-17
- Horsch Sprinter NT **(NEW)** P18-19

Key features of the NT20 Adjusta-Point are:

- HEIGHT ADJUSTABLE with three different settings to allow for lowering of point as it wears or for more below the seed cultivation if desired.
- LIQUID point options available
- COMPATIBLE with our Multi-Boot Module seeding boot system which has Paired-Row Seeker Boots or Single-Row Closer options to choose from
- LO-THRO or STRAIGHT knife point profiles
- WIDTH OPTIONS 12mm or 14mm points that both fit in the same adaptor
- EASY ACCESS pin & R-clip which has no load when working **IMPROVED FOR 2025**
- HARDFACING improvement for 2024 onwards with increased area and thickness

For complete seeding kits, see pages 12-19

LO-THRO PROFILE

- 14mm knife
- 255mm overall length
- Vertical section toward top of knife reduces soil throw by disrupting soil flow up point



STRAIGHT PROFILE

- 12mm knife
- 265mm overall length
- More traditional point angle
- Extra material in knife can provide additional strength

NEW

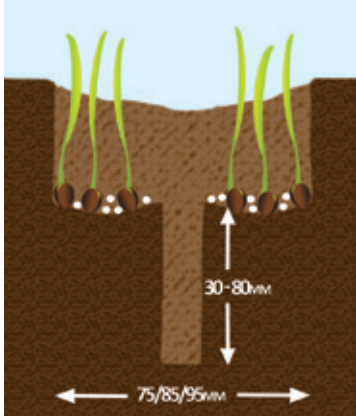


For our full range of parts and prices, view our complete Parts Book/Catalogue at www.agmaster.com.au
All prices exclude any freight costs that may apply

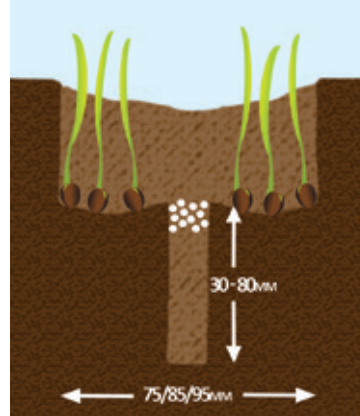
NT20 SEEDING PROFILES FOR KITS PAGES 12-19

NT20 MULTIBOOT SEEKER SEEDING PROFILES

SINGLE SHOOT



DUAL SHOOT



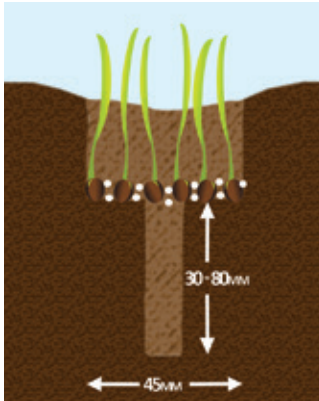
PAIRED-ROW SEEKER OPTIONS

- SW6270 75mm Seeker Wing
- SW6280 85mm Seeker Wing
- SW6290 95mm Seeker Wing

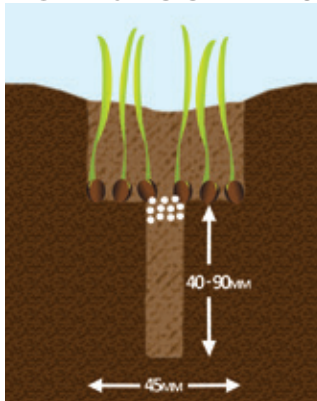
Can be interchanged with Single-Row Closer (below)

NT20 MULTIBOOT SINGLE ROW SEEDING PROFILES

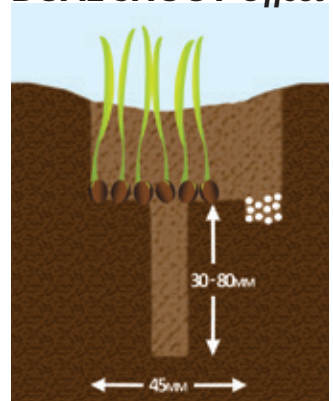
SINGLE SHOOT



DUAL SHOOT Inline



DUAL SHOOT Offset



SINGLE-ROW CLOSER OPTION

- CL6240 45mm Single Closer

Can be interchanged with Paired-Row Seekers (above)

For our full range of parts and prices, view our complete Parts Book/Catalogue at www.agmaster.com.au
All prices exclude any freight costs that may apply

NT20M MULTIBOOT FOR MORRIS QUANTUM, C2 & C3

Please discuss suitability of paired-row systems for your soil type with Agmaster or your dealer

This system is a modular seeding kit to suit various Morris parallelogram modules which provides the flexibility to choose or alternate between multiple paired-row and single-row seed boot options. The key features of this system are:

- Multiple closing tool options with flexibility to easily alternate between paired and single-row depending on conditions and application. See below for details.
- Secure bolting arrangement on the closing tool and dry fertiliser boot.
- Height-adjustable point is secured with an easy-access pin and there is no load on the pin when working.
- Optional dry fertiliser boot is available for dual shoot systems
- Liquid point option available and all boot options come liquid ready.

BUILD YOUR KIT:

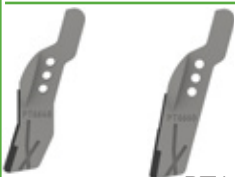
1. Select Kit Base
2. Select Point
3. Select Closing Tool
4. Add optional extras

Kit price includes all parts & fasteners required for assembly. Alternatively, see page 13 for common configurations and their prices

1. Kit Base

\$160 +GST Standard
\$165 +GST Liquid

2. Adjusta-Point Options Standard Points



PT6640

14mm
Lo-Thro
\$85 +GST

PT6660

12mm
Straight
\$85 +GST

Liquid Points



PT6650

14mm
Lo-Thro
\$115 +GST

PT6670

12mm
Straight
\$115 +GST

3. Closing Tool Options Paired Row



SW6290

95mm Seeker Wing
(rows 75mm apart)
\$160 +GST



SW6280

85mm Seeker Wing
(rows 65mm apart)
\$150 +GST



SW6270

75mm Seeker Wing
(rows 55mm apart)
\$150 +GST

Single Row



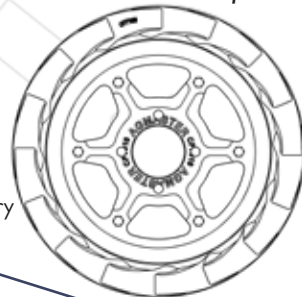
CL6240

45mm Closer
\$50 +GST

SHORT LEG OPTION

Available on
request

Emu Tracker Wheel. Info on P27



FB5310

Dual-Shoot Dry
Fertiliser Boot

IMPROVED
PIN FOR
2025

4. Optional Extras



FB5310

Optional Dry
Fertiliser Boot
\$50 +GST



LF5520

Stainless Tube
for Seed Wetter
One required per
seed row
\$5 +GST

WETTER WITH
SEED NOW
AVAILABLE ON
BOTH PAIRED-ROW
& SINGLE-ROW
SYSTEMS

For all Seeding Kit part numbers and their prices, use our Seeding Kit Builder at www.agmaster.com.au

All prices exclude any freight costs that may apply

NT20M MultiBoot Assemblies to suit Morris Quantum C2 & C3



PMM6418202X31
 14mm Adjusta Point
 with Paired Row Seeker
 Wing and Dual Shoot
 Dry Fertiliser Boot

\$445-\$455 +GST
 Depending on seeker width



PMM6518202X31
 14mm Liquid Adjusta
 Point with Paired Row
 Seeker Wing, Dual
Shoot Dry
 Fertiliser Boot and
 Stainless Liquid Casing

\$480-\$490 +GST
 Depending on seeker width

Please discuss suitability of paired-row systems for your soil type with Agmaster or your dealer



PMM6418202X
 14mm Adjusta Point
 with 75mm Paired Row
 Seeker Wing

\$395-\$405 +GST
 Depending on seeker width



PMM6518202X
 14mm Liquid Adjusta
 Point with Paired Row
 Seeker Wing and
 Stainless Liquid Casing

\$430-\$440 +GST
 Depending on seeker width



PMM64182024
 14mm Standard Point
 with 45mm Single Row
 Closer

\$295 +GST



PMM65182024
 14mm Liquid Point
 with 45mm Single Row
 Closer and Stainless
 Liquid Casing

\$330 +GST

**SHORT LEG
 OPTION
 AVAILABLE ON
 REQUEST FOR ALL
 CONFIGURATIONS**

For all Seeding Kit part numbers and their prices, use our Seeding Kit Builder at www.agmaster.com.au
 All prices exclude any freight costs that may apply

NT20M MULTIBOOT FOR MORRIS CONTOUR 1

This system is a modular seeding kit to suit Morris C1 seeding modules, which provides the flexibility to choose or alternate between multiple paired-row and single-row seed boot options. The key features of this system are:

- Multiple closing tool options with flexibility to easily alternate between paired and single-row depending on conditions and application. See below for details.
- Secure bolting arrangement on the closing tool and dry fertiliser boot.
- Height-adjustable point is secured with an easy-access pin and there is no load on the pin when working.
- Optional dry fertiliser boot is available for dual shoot systems
- Liquid point option available and all boot options come liquid ready.

BUILD YOUR KIT:

1. Select Kit Base
2. Select Point
3. Select Closing Tool
4. Add optional extras

Kit price includes all parts & fasteners required for assembly. Alternatively, see page 15 for common configurations and their prices

1. Kit Base

\$160 +GST Standard
\$165 +GST Liquid

2. Adjusta-Point Options Standard Points



PT6640
14mm
Lo-Thro
\$85 +GST



PT6660
12mm
Straight
\$85 +GST

Liquid Points



PT6650
14mm
Lo-Thro
\$115 +GST



PT6670
12mm
Straight
\$115 +GST

3. Closing Tool Options Paired Row



SW6290
95mm Seeker Wing
(rows 75mm apart)
\$160 +GST



SW6280
85mm Seeker Wing
(rows 65mm apart)
\$150 +GST



SW6270
75mm Seeker Wing
(rows 55mm apart)
\$150 +GST

Single Row



CL6240
45mm Closer
\$50 +GST

FB5310
Dual-Shoot Dry
Fertiliser Boot

Emu Tracker Wheel. Info on P27

**IMPROVED
PIN FOR
2025**

4. Optional Extras



FB5310
Optional Dry
Fertiliser Boot
\$50 +GST



LF5520
Stainless Tube
for Seed Wetter
One required per
seed row
\$5 +GST

**WETTER WITH
SEED NOW
AVAILABLE ON
BOTH PAIRED-ROW
& SINGLE-ROW
SYSTEMS**

For all Seeding Kit part numbers and their prices, use our Seeding Kit Builder at www.agmaster.com.au

All prices exclude any freight costs that may apply

NT20M MultiBoot Assemblies to suit Morris Contour 1



PMM6422202X31
 14mm Adjusta Point
 with Paired Row Seeker
 Wing and Dual Shoot
 Dry Fertiliser Boot

\$445-\$455 +GST
Depending on seeker width



PMM6522202X31
 14mm Liquid Adjusta
 Point with Paired Row
 Seeker Wing, Dual
Shoot Dry
 Fertiliser Boot and
 Stainless Liquid Casing

\$480-\$490 +GST
Depending on seeker width



PMM6422202X
 14mm Adjusta Point
 with 75mm Paired Row
 Seeker Wing

\$395-\$405 +GST
Depending on seeker width



PMM6522202X
 14mm Liquid Adjusta
 Point with Paired Row
 Seeker Wing and
 Stainless Liquid Casing

\$430-\$440 +GST
Depending on seeker width



PMM64222024
 14mm Standard Point
 with 45mm Single Row
 Closer

\$295 +GST



PMM65222024
 14mm Liquid Point
 with 45mm Single Row
 Closer and Stainless
 Liquid Casing

\$330 +GST

NT20B MULTIBOOT FOR BOURGAULT PARALINK

This system is a modular seeding kit to suit the Bourgault Paralink module which provides the flexibility to choose or alternate between multiple paired-row and single-row seed boot options. The key features of this system are:

- Multiple closing tool options with flexibility to easily alternate between paired and single-row depending on conditions and application. See below for details.
- Secure bolting arrangement on the closing tool and dry fertiliser boot.
- Height-adjustable point is secured with an easy-access pin and there is no load on the pin when working.
- Optional dry fertiliser boot is available for dual shoot systems
- Liquid point option available and all boot options come liquid ready.

BUILD YOUR KIT:

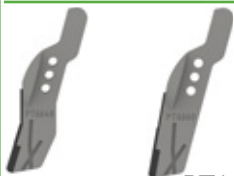
1. Select Kit Base
2. Select Point
3. Select Closing Tool
4. Add optional extras

Kit price includes all parts & fasteners required for assembly. Alternatively, see page 17 for common configurations and their prices

1. Kit Base

\$190 +GST Standard
\$195 +GST Liquid

2. Adjusta-Point Options Standard Points



PT6640

14mm
Lo-Thro
\$85 +GST

PT6660

12mm
Straight
\$85 +GST

Liquid Points

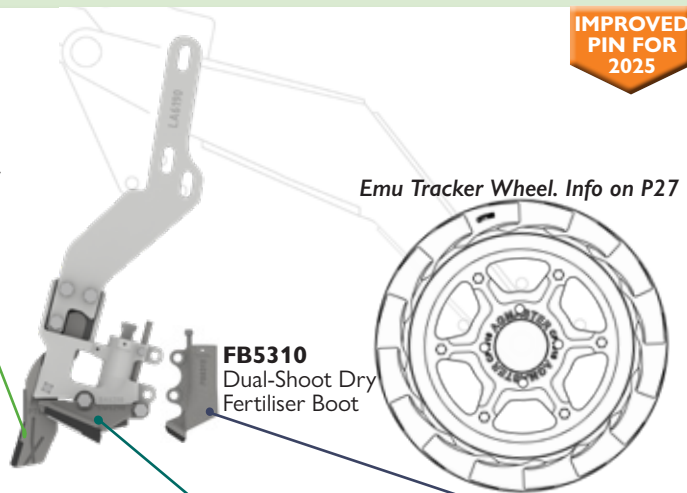


PT6650

14mm
Lo-Thro
\$115 +GST

PT6670

12mm
Straight
\$115 +GST



Emu Tracker Wheel. Info on P27

FB5310
Dual-Shoot Dry
Fertiliser Boot

3. Closing Tool Options

Paired Row



SW6290
95mm Seeker Wing
(rows 75mm apart)
\$160 +GST



SW6280
85mm Seeker Wing
(rows 65mm apart)
\$150 +GST



SW6270
75mm Seeker Wing
(rows 55mm apart)
\$150 +GST

Single Row



CL6240
45mm Closer
\$50 +GST

4. Optional Extras



FB5310
Optional Dry
Fertiliser Boot
\$50 +GST



LF5520
Stainless Tube
for Seed Wetter
One required per
seed row
\$5 +GST

**WETTER WITH
SEED NOW
AVAILABLE ON
BOTH PAIRED-ROW
& SINGLE-ROW
SYSTEMS**

For all Seeding Kit part numbers and their prices, use our Seeding Kit Builder at www.agmaster.com.au
All prices exclude any freight costs that may apply

NT20B MultiBoot Assemblies to suit Bourgault Paralink



PMM6419202X31

14mm Adjusta Point with Paired Row Seeker Wing and Dual Shoot Dry Fertiliser Boot

\$475-\$485 +GST

Depending on seeker width



PMM6419202X

14mm Adjusta Point with Paired Row Seeker Wing

\$425-\$435 +GST

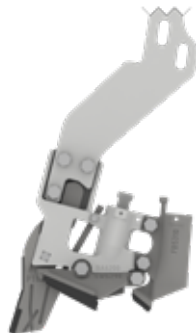
Depending on seeker width



PMM64192024

14mm Standard Point with 45mm Single Row Closer

\$325 +GST



PMM6519202X31

14mm Liquid Adjusta Point with Paired Row Seeker Wing, Dual Shoot Dry Fertiliser Boot and Stainless Liquid Casing

\$510-\$520 +GST

Depending on seeker width

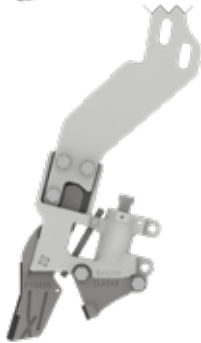


PMM6519202X

14mm Liquid Adjusta Point with Paired Row Seeker Wing and Stainless Liquid Casing

\$460-\$470 +GST

Depending on seeker width



PMM65192024

14mm Liquid Point with 45mm Single Row Closer and Stainless Liquid Casing

\$360 +GST

NT21B Bourgault PLDS Replacement Points

We now have the following non-genuine replacement parts available to suit the Bourgault PLDS shank.

Pre-order recommended



PT6710

Fert Knife for PLDS

\$140 +GST



PT6720

Seed Knife for PLDS

\$95 +GST

For all Seeding Kit part numbers and their prices, use our Seeding Kit Builder at www.agmaster.com.au

All prices exclude any freight costs that may apply

NT20H MULTIBOOT FOR HORSCH SPRINTER NT

Our NT20 Multi-Boot system is now available to suit the Horsch Sprinter NT (High Model). This is a modular seeding kit which provides the flexibility to choose or alternate between multiple paired-row and single-row seed boot options. The key features of this system are:

- Multiple closing tool options with flexibility to easily alternate between paired and single-row depending on conditions and application. See below for details.
- Secure bolting arrangement on the closing tool and dry fertiliser boot.
- Height-adjustable point is secured with an easy-access pin and there is no load on the pin when working.
- Optional dry fertiliser boot is available for dual shoot systems
- Liquid point option available and all boot options come liquid ready.

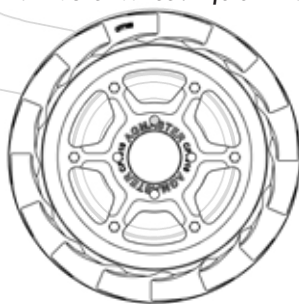
BUILD YOUR KIT:

1. Select Kit Base
2. Select Point
3. Select Closing Tool
4. Add optional extras

Kit price includes all parts & fasteners required for assembly. Alternatively, see page 19 for common configurations and their prices

**IMPROVED
PIN FOR
2025**

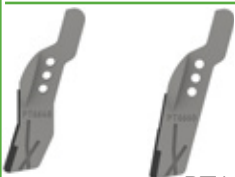
Emu Tracker Wheel. Info on P27



1. Kit Base

\$190 +GST Standard
\$195 +GST Liquid

2. Adjusta-Point Options Standard Points



PT6640

14mm
Lo-Thro
\$85 +GST

PT6660

12mm
Straight
\$85 +GST

Liquid Points

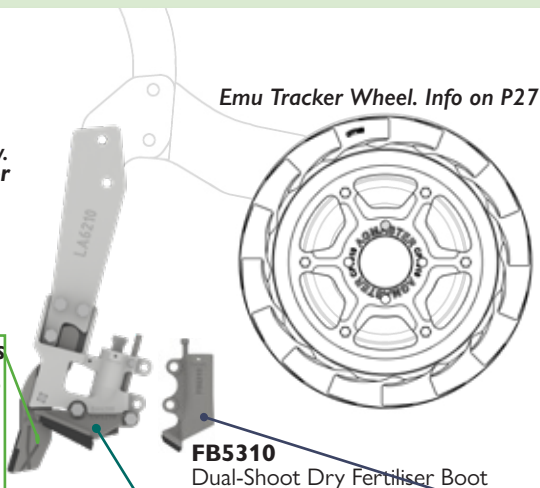


PT6650

14mm
Lo-Thro
\$115 +GST

PT6670

12mm
Straight
\$115 +GST



FB5310

Dual-Shoot Dry Fertiliser Boot

3. Closing Tool Options Paired Row



SW6290

95mm Seeker Wing
(rows 75mm apart)
\$160 +GST



SW6280

85mm Seeker Wing
(rows 65mm apart)
\$150 +GST



SW6270

75mm Seeker Wing
(rows 55mm apart)
\$150 +GST

Single Row



CL6240

45mm Closer
\$50 +GST

4. Optional Extras



FB5310

Optional Dry
Fertiliser Boot
\$50 +GST



LF5520

Stainless Tube
for Seed Wetter
One required per
seed row
\$5 +GST

**WETTER WITH
SEED NOW
AVAILABLE ON
BOTH PAIRED-ROW
& SINGLE-ROW
SYSTEMS**

For all Seeding Kit part numbers and their prices, use our Seeding Kit Builder at www.agmaster.com.au

All prices exclude any freight costs that may apply

NT20H MultiBoot Assemblies to suit Horsch Sprinter NT



PMM6421202X31

14mm Adjusta Point with Paired Row Seeker Wing and Dual Shoot Dry Fertiliser Boot

\$475-\$485 +GST

Depending on seeker width



PMM6521202X31

14mm Liquid Adjusta Point with Paired Row Seeker Wing, Dual Shoot Dry Fertiliser Boot and Stainless Liquid Casing

\$510-\$520 +GST

Depending on seeker width



PMM6421202X

14mm Adjusta Point with 75mm Paired Row Seeker Wing

\$425-\$435 +GST

Depending on seeker width



PMM6521202X

14mm Liquid Adjusta Point with Paired Row Seeker Wing and Stainless Liquid Casing

\$460-\$470 +GST

Depending on seeker width



PMM64212024

14mm Standard Point with 45mm Single Row Closer

\$325 +GST



PMM65212024

14mm Liquid Point with 45mm Single Row Closer and Stainless Liquid Casing

\$360 +GST

For all Seeding Kit part numbers and their prices, use our Seeding Kit Builder at www.agmaster.com.au

All prices exclude any freight costs that may apply

NT21D Adjusta-Point & Holder to suit DBS

NEW!

The **NT21D Adjusta-Point** is our first **Point & Holder** system to suit **DBS/Groundhog** shanks. The key features are:

- **HEIGHT ADJUSTABLE** with five settings (120 - 200mm) to allow for lowering of point as it wears or for more below the seed cultivation if desired.
- Unique **POINT HOLDER** design with built-in **TRASHGUARD**
- **EASY ACCESS M12 PIN & R-clip** **IMPROVED FOR 2025**

PRICES:

Point & Holder Kit as pictured

PTH7610 **\$135** +GST

Replacement Parts

PT7760 Point **\$105** +GST

HL7710 Holder **\$30** +GST



Seeding Kit Notes

Visit our website to use our Seeding Kit Builder or view our full range of spare parts

www.agmaster.com.au



NT19 & NT11 ACCESSORIES

Trashguards & Sweep Adaptors

TRASHGUARDS

These saddle the point holder and secure to the holder or tyne to provide better trashflow in heavy residue. There are two styles for NT11 and NT19 Adjusta-Point which suit both flat and edge-on tynes. **Below prices include required fasteners**



NT19 Trashguard
for Adjusta-Point
\$30 +GST



NT11
Trashguard
\$38 +GST

SWEEP ADAPTORS

These secure into the holder in place of the point for quick change from No-Till cultivation to conventional cultivation. Replicates bottom of tyne to accommodate bolt-on wedge or bolt-on wide point. 3 different hole configurations are available. Available for NT11 holders and NT19 to order on request. Contact Agmaster to discuss



\$30 +GST

Liquid Kits



These kits piggy back Agmaster NT19 & NT11 rigid boot kits. They will direct liquid fertiliser from an existing liquid distribution system to the base of the tynes and into the back of a liquid fertiliser point (see pages 3, 4 & 22). The liquid kit includes a shaped stainless tube that acts as a protective casing for 3 - 6mm OD flexible fertiliser delivery hose.

Kit does not include liquid point or flexible tube. A longer bolt may also be required to bolt clamp plate to tyne. Kits are available for two liquid hose sizes.

Single Liquid Kit: \$35 +GST

Double Liquid Kit: \$52 +GST

For all Seeding Kit part numbers and their prices, use our Seeding Kit Builder at www.agmaster.com.au

All prices exclude any freight costs that may apply

REPLACEMENT POINTS

NT19 Series Adjusta-Points & Holder



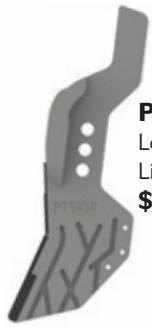
PT5640
Lo-Thro
Standard 14mm
\$90 +GST



PT5660
Straight
Standard 14mm
\$90 +GST



HL5610
Adjusta-Point
Holder 2021
\$25 +GST



PT5650
Lo-Thro
Liquid 14mm
\$120 +GST



PT5670
Straight
Liquid 14mm
\$120 +GST

Refer to our parts book or website for pins & fasteners

NT11 Series Slip-On Point Options



PT1120
12mm Straight
Standard
\$70 +GST



PT1150
12mm Straight
Liquid
\$100 +GST



PT1140
14mm Lo-Thro
Standard
\$80 +GST



PT1170
14mm Lo-Thro
Liquid
\$110 +GST



PT1160
16mm Straight
Standard
\$80 +GST



PT1190
16mm Straight
Liquid
\$110 +GST



PT1130
16mm Winged
\$120 +GST

Refer to our parts book or website for Point holders & Pins

For less common replacement points, boots and other parts, please visit our website www.agmaster.com.au

For our full range of parts and prices, view our complete Parts Book/Catalogue at www.agmaster.com.au
All prices exclude any freight costs that may apply

OTHER NO-TILL SEEDING KITS AND PARTS

NT08/NT11/NT19 Series Rigid Boots Options *(excludes Flexiboos)*



BT2540/BT2550
Single Shoot Boot with 40mm
or 50mm Closer Plate

\$60 +GST

Standard NT19 Kit
Standard Adjusta-Point
with choice of BT2540
or BT2550 boots

\$265 +GST
Picture and details P4

Standard NT08 Kit
12mm bolt-on point with
choice of BT2540 or
BT2550 boots

\$190 +GST
Picture and details below



BT2370
Single Shoot Split Boot with
65mm Closer Plate

\$125 +GST

*For this boot option in a kit add
\$65 +GST to the standard
single shoot NT19 or NT08
kit price*



BT2390
Double Shoot Split Boot with
65mm Closer Plate

\$170 +GST

*For this boot option in a kit add
\$110 +GST to the standard
single shoot NT19 or NT08
kit price*

NT08 Series Bolt-On Kits



For single bolt cultivator and scarifier tynes in the 90 - 150kg breakout range. Standard single system included a 12mm point and depth adjustable 40mm boot assembly. See above for other boot options and kit price difference.

NT08 Seeding Kits suit the following tynes:
Shearer 580 & 620, Forward/Chamberlain 270, 700 &
800 series, Alfarm, John Deere/International Scari &
Shearer Scari

PRICES:
Standard Single Shoot Kit as shown **\$190**+GST
Replacement Points **\$75** +GST

PRESSWHEELS



70mm "V" Presswheel Module.
See page 25 for all tyre profile options

- Individually mounted for independent pressure
- Self tracking
- Semi pneumatic tyres for soil shedding
- Down pressure adjustable
- Can be lifted and locked when not required
- Light weight but robust - module weight 11kg

See page 28 for Presswheel mounting options

Agmaster Presswheels offer flexibility to suit all seeding conditions. The presswheels mount to a false bar behind the last rank of seeding tynes.

Presswheel module as shown:

\$450 +GST

with 50mm Flat, 70mm V or 95mm V tyre profiles

\$470 +GST

100mm W tyre profiles

\$600 +GST

Emu Tracker tyre (*See P26 for more info*)

Optional inner spring for extra pressure

\$15 +GST

Optional offset wheel spacer for clay shedding

\$20 +GST



PRESSWHEEL TYRE OPTIONS

Tyre Profile Options



50mm Flat Tyre

Crumbles sides of narrow slot

40-50mm Closers

PWF50 \$450 +GST



70mm 'V' Tyre

General purpose in mixed soil types

40-85mm Closers or Seekers

PWV70 \$450 +GST



95mm 'V' Tyre

Wide press on light sand soils

50-95mm Closers or Seekers

PWV95 \$450 +GST



100mm 'W' Tyre

For use with paired-row Seeker Boots

95mm Seekers on flat fields

PWW100 \$470 +GST



130 mm 'Emu Tracker' Tyre

Most effective in moist soils where furrow smearing/crusting is a problem.

50-95mm Closers or Seekers

PWE130 \$600 +GST

INFO
P26

Suitable tyre profile will depend on seeding boot style, soil conditions and desired finish.

Seek local experience or contact an Agmaster Sales Consultant for more information. All prices shown are for complete module (*pictured on page 24&26*) with selected tyre profile.

For Presswheel Module & Fixed Extension calculator, use our Presswheel Builder at www.agmaster.com.au

All prices exclude any freight costs that may apply

EMU TRACKER PRESSWHEELS



By increasing demand, the Agmaster Emu Tracker wheel is now available as an individually mounted Presswheel Module. These have been run in WA & NSW over the past few seasons with positive customer feedback including comments of:

- Reduction in chemical damage on edge of furrow
- Fewer weed escapes at edge of rows
- Less smearing in wet conditions
- Improved seed coverage
- Reduced mud build up on tyre in sticky soils

PRICES:

Presswheel module as pictured with 130mm wide Emu Tracker tyre

PWE130 **\$600** +GST

As with our usual presswheel range, these units mount to a false bar behind the last rank of seeding tyres. Additional features include:

- Individually mounted for independent pressure
- Greasable hubs
- Self tracking
- Down-pressure adjustable
- Extra inner-spring option for additional pressure
- Can be lifted and locked when not required
- Robust aluminium rims - module weight 18kg

See *page 28 for Presswheel mounting options*



EMU TRACKER WHEELS

Agmaster Emu Tracker wheels have a unique design which addresses the issue of presswheel furrow smearing on precision seeding modules such as the following:

(other makes may also be adaptable):

- Morris Quantum
- Bourgault Paralink
- Morris Contour1,2&3
- Horsch Sprinter

The Emu Tracker replaces the existing wheel on the precision seeding module. The flexible feet flick some of the loose soil back into the seeding row while giving some pressing effect. They are most effective in moist soil conditions.



PRICE: Wheel as pictured **\$280** +GST

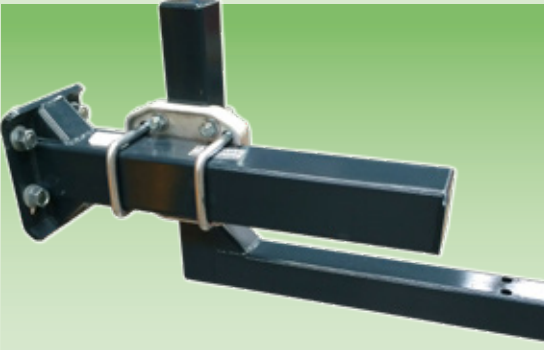
Original Module Wheel Finish



Emu Tracker Wheel Finish



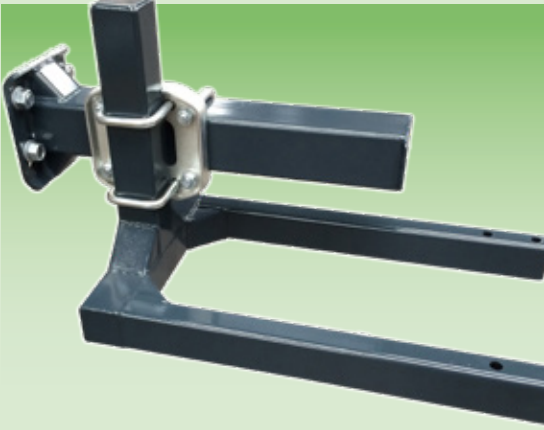
PRESSWHEEL MOUNTING OPTIONS



FIXED EXTENSION ARM

Used when presswheels are permanent with provision for an adaptor plate to be welded to end of main arm to add harrows in combination. If no harrows are used, minimum of 2 arms are required per section. A 3rd arm is required for any section with more than 18x Standard Presswheels or 12x Emu Tracker Presswheels. A typical single fold machine will require 6 or 7 arms. Mount bar secures to end of these arms. Weight 31kg

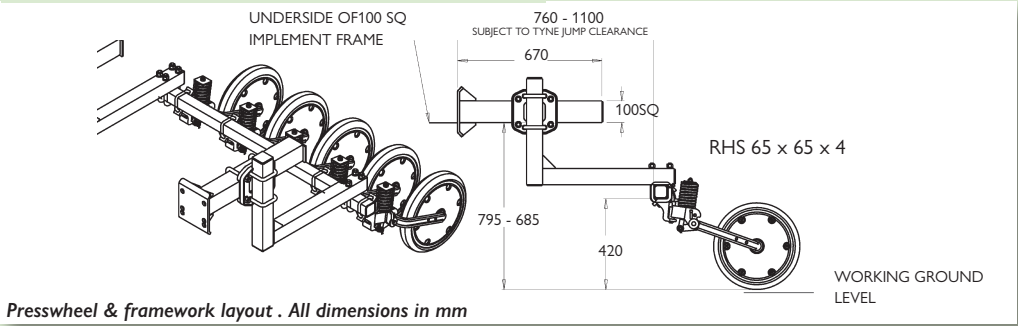
\$625 +GST



FIXED EXTENSION ARM WITH DOUBLE DROPPER

Used in conjunction with above arms of short sections of folding machines i.e. 7ft or less with up to 10x Standard Presswheels or 7x Emu Tracker Presswheels. Typically used on short outer wings of double fold machines. Mount bar secures to end of arm. Weight 38kg

\$800 +GST



Presswheel & framework layout . All dimensions in mm

For Presswheel Module & Fixed Extension calculator, use our Presswheel Builder at www.agmaster.com.au
All prices exclude any freight costs that may apply

Presswheel Notes



Visit our website to use our Presswheel Kit Builder or view our full range of spare parts

www.agmaster.com.au



NO-TILL HARROWS



Agmaster No-Till Harrows have been developed to compliment no-till seeding systems. Their non-aggressive rotary action is designed to brush loose soil from the interrow back into the seed row. They have excellent trash flow capabilities and can be used independently or in combination with presswheels.

- *Easy to set up and use*
- *Working angle and pressure adjustable*
- *Lifts and folds with machine*
- *Excellent stubble handling*

STAR HARROWS are suitable for covering behind narrow points to provide an even cover. Long life tips are replaceable. 4ft and 5ft gangs will provide the best finish. 6ft gangs are available if other sizes not suitable.

PRICES:

- 4ft gang with telecarrier arm **\$2700** +GST
- 5ft gang with telecarrier arm **\$2900** +GST
- 6ft gang with telecarrier arm **\$3100** +GST
- Replacement Single Star Tips **\$5.50**EA +GST
- Replacement Star Tips x100 **\$500** +GST



COIL HARROWS are suitable for covering behind a greater variety of points. Slightly more aggressive, they are more effective in sticky soil conditions.

PRICES:

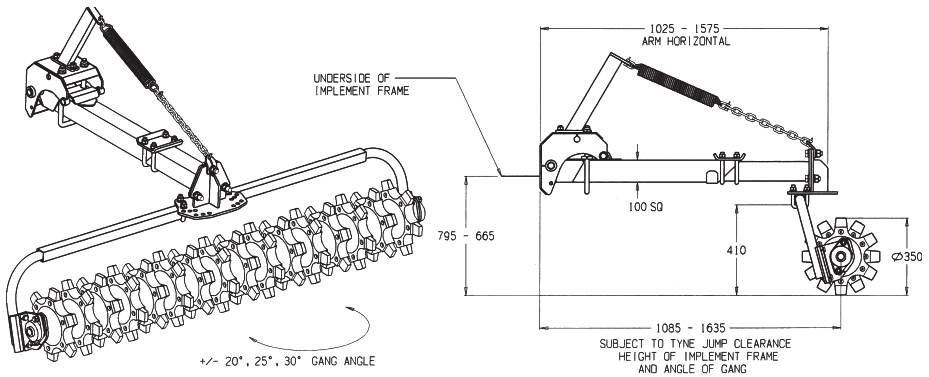
- 4ft gang with telecarrier arm **\$2550**+GST
- 5ft gang with telecarrier arm **\$2750**+GST



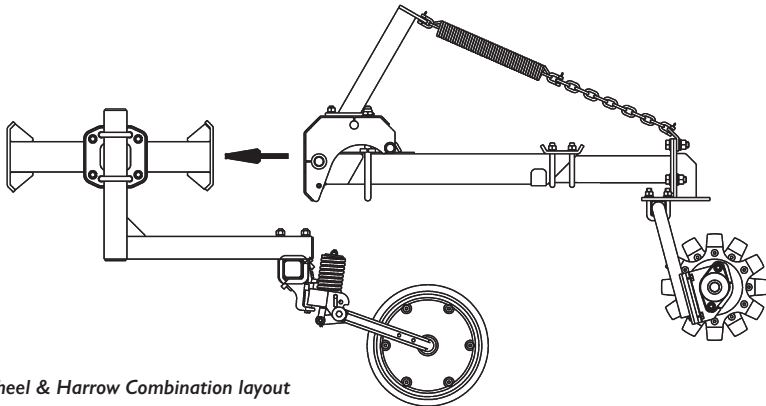
Presswheels and harrows combination



Double fold machine with star harrows



Harrow & telescopic arm layout. All dimensions in mm



Presswheel & Harrow Combination layout



Paired Row Seeker Boot establishment



Western Australia Head Office:

10 Fargo Way
WELSHPOOL
Western Australia 6106

Sales Team

Renee Parker - General Manager
Mike Glenn - Technical Consultant

Phone: 08 9358 1555

Email: sales@agmaster.com.au

www.agmaster.com.au

**Western Australia &
South Australia**

Renee Parker
08 9358 1555
0473 485 629
renee@agmaster.com.au

**Victoria &
Tasmania**

Dan Bolwell
1800 66 8455
0417 565 091
dan@agmaster.com.au

**New South Wales &
Queensland**

Rowan Cox
1800 66 8455
0488 995 566
rowan@agmaster.com.au

Your local dealer is:

Disclaimer: Agmaster strongly recommends that you consult your agronomist to determine the suitability of Agmaster products in your seeding program. Agmaster gives absolutely no guarantee as to the suitability or performance of its products. Furthermore, Agmaster will not accept liability for any loss or damage caused by, or as a consequence of, the use of its products. Agmaster's products and prices are subject to change without notice. E & OE.